

1

2

3

4

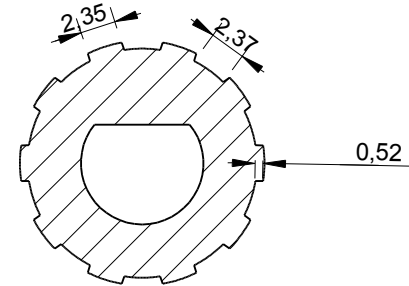
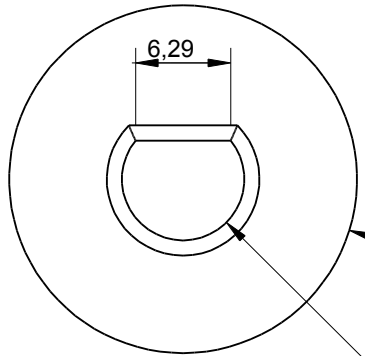
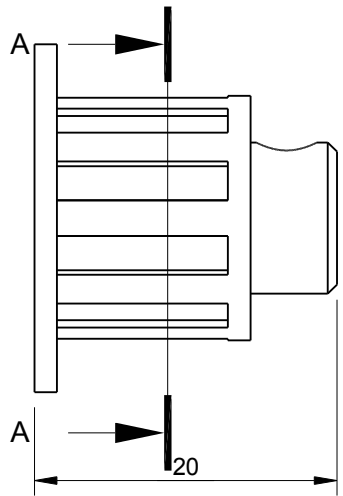
5

6

RevNo	Revision note		Date	Signature	Checked
-------	---------------	--	------	-----------	---------

A

A



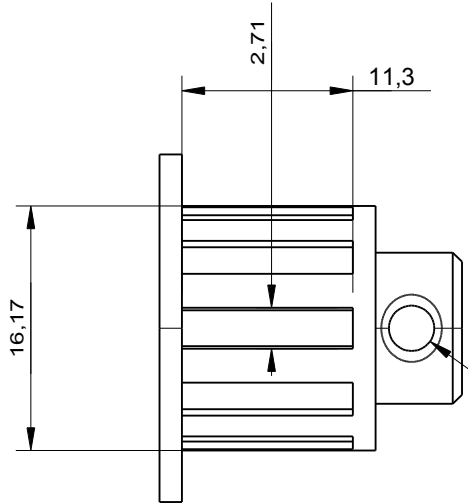
Section A-A

B

B

C

C



Itemref	Quantity	Title/Name, designation, material, dimension etc			Article No./Reference	
Drawn by Marcis Wolschon		Checked by	Approved by - date	File name	Date 2014-01-19	Scale

D

D

				1	Edition	Sheet
--	--	--	--	---	---------	-------

1

2

3

4

5

6