

F

E

D

C

B

A

4

4

3

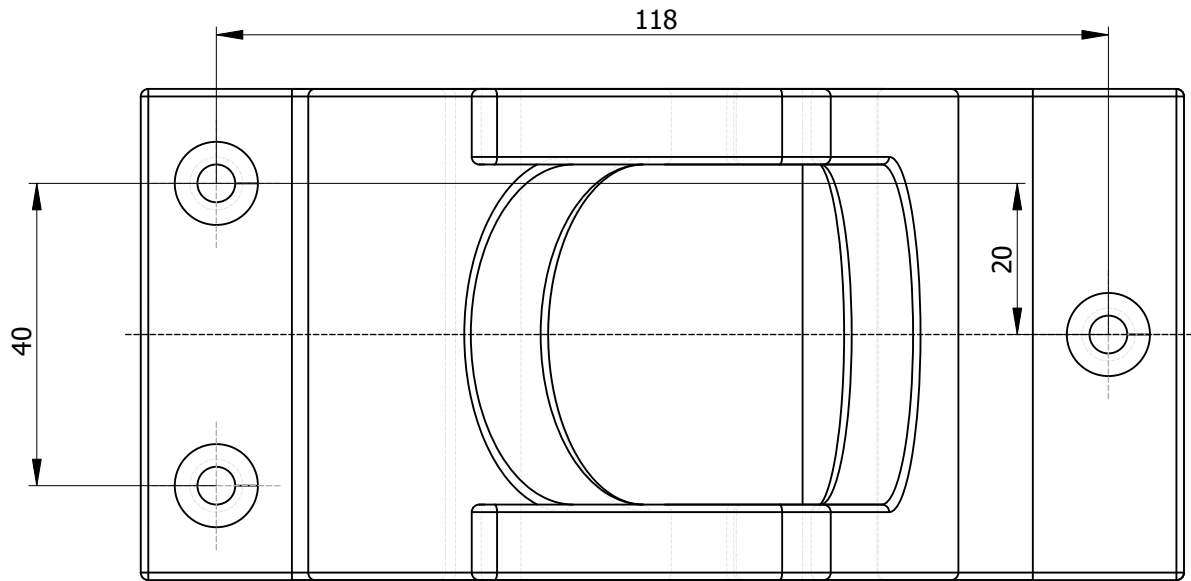
3

2

2

1

1



DESIGNED BY:

Andreas Jost

DATE:

01.05.2021

SIZE

A4

SCALE

1:1

WEIGHT (kg)

nA

DRAWING NUMBER

1

SHEET

1

Wandhalterung Winkeschleifer

Makita Winkelschleifer DGA504Z



G

—

F

—

E

—

D

—

C

—

B

—

A

—

This drawing is our property; it can't be reproduced or communicated without our written consent.

F

E

D