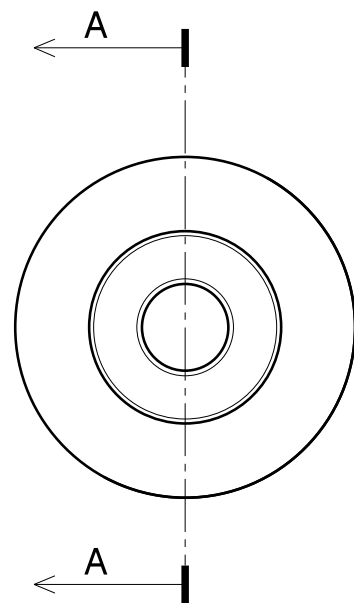
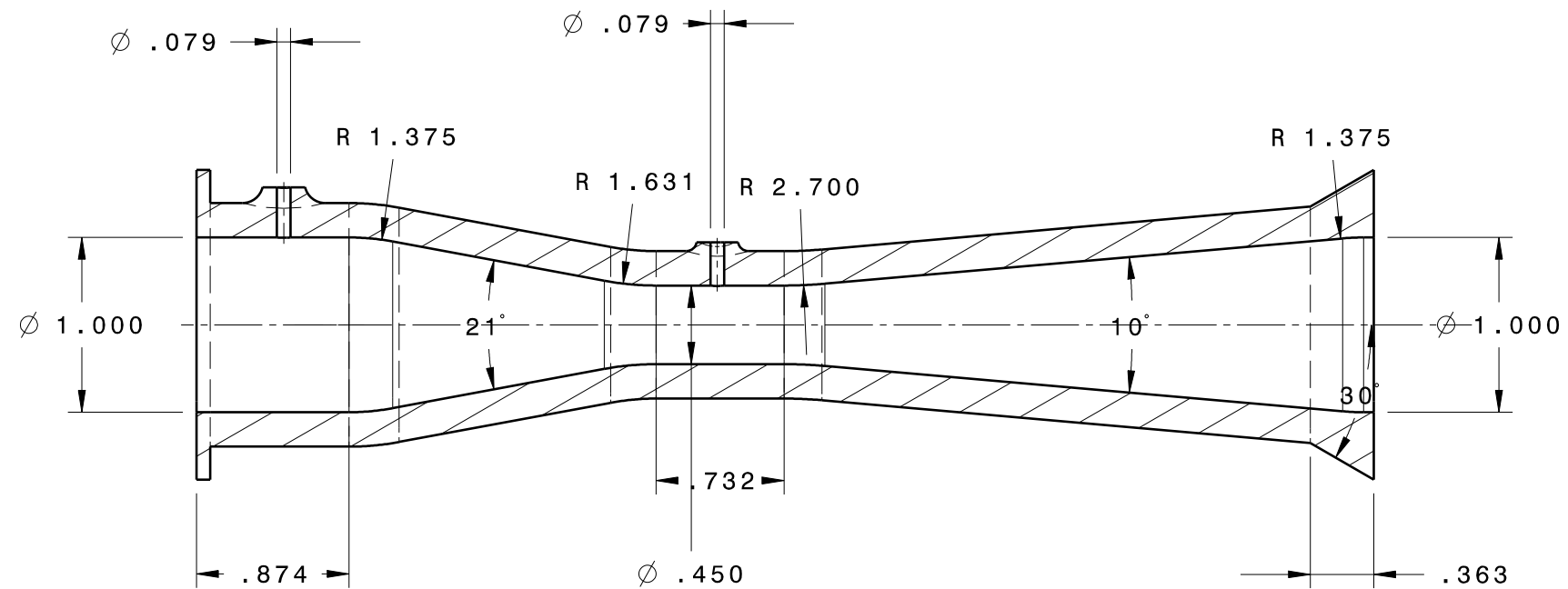


16 15 14 13 12 11 10 9 8 7 6 5 4 3 2 1

J
I
H
G
F
E
D
C
B
A



Front view
Scale: 1:1



Section view A-A
Scale: 1:1

Note
Venturi inspiré des standards ASME MFC-3M-1985
Matériaux en polymer
Fabrication prototypage rapide (FDM)
Dimension en pouce
Tolérance selon configuration

Note(English)
Venturi flowmeter tube based on ASME MFC-3M-1985 standard
Material in polymer/rosin
Designed for FDM and SLA rapid prototyping
Dimension in inch
Tolerance depending on configuration

TITRE: Venturi tube

DESSINÉ PAR: Richard Nguyen EQ.:
Email: richard-phat-the-2.nguyen@polymtl.ca

Do as you pleased, as long it is not for commercial use