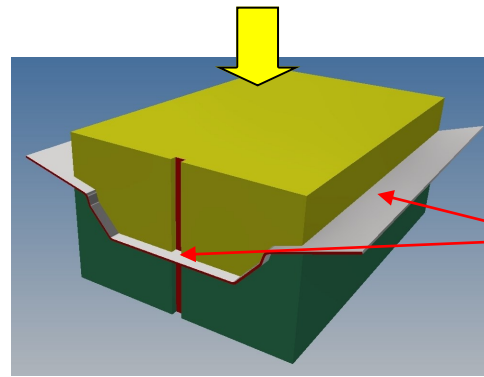
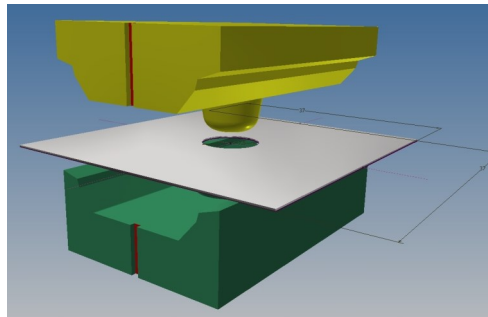
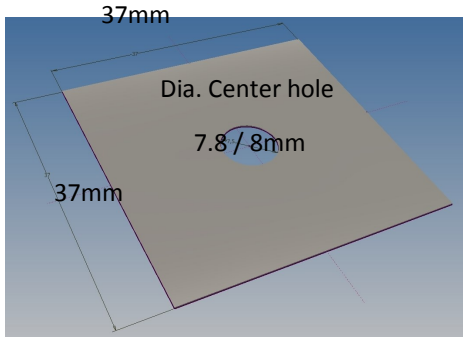


HEAT RESISTANT FAN DUCT AIR BLOW DEFLECTOR

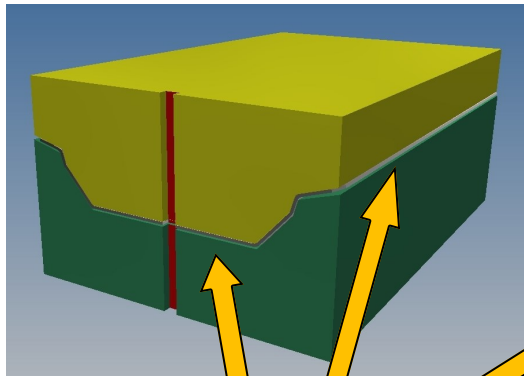


Press down the forming tool
By hands or use any clamping tools
Mark the outside sheet limit then adjust
By cutting with the scissor adjust
With a cutter if necessary

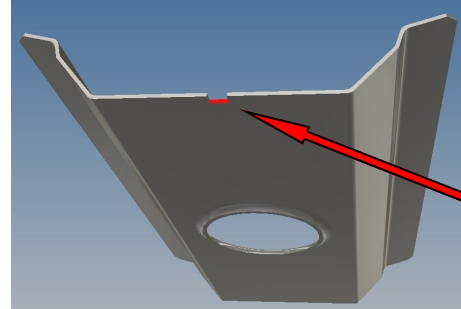
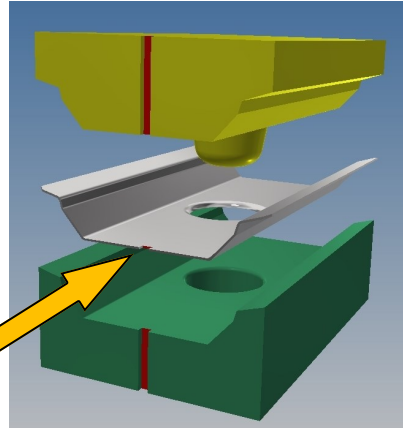
Carefull your fingers, the metal sheet is sharp

From a beverage can scissor cut a square metal sheet 37x37 mm cutter cut a center hole dia. 7.8 / 8 mm

Place the metal sheet between the forming tools, respect the tools marked sides sheet sides // to tool sides

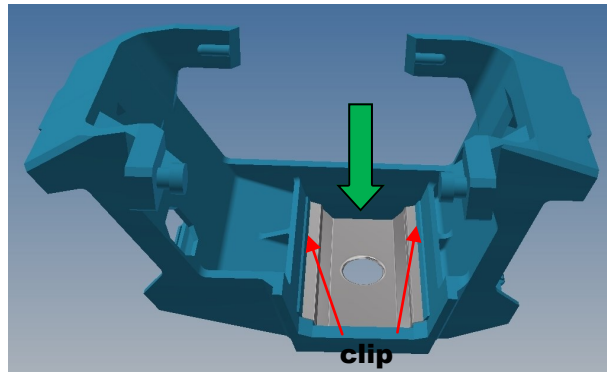
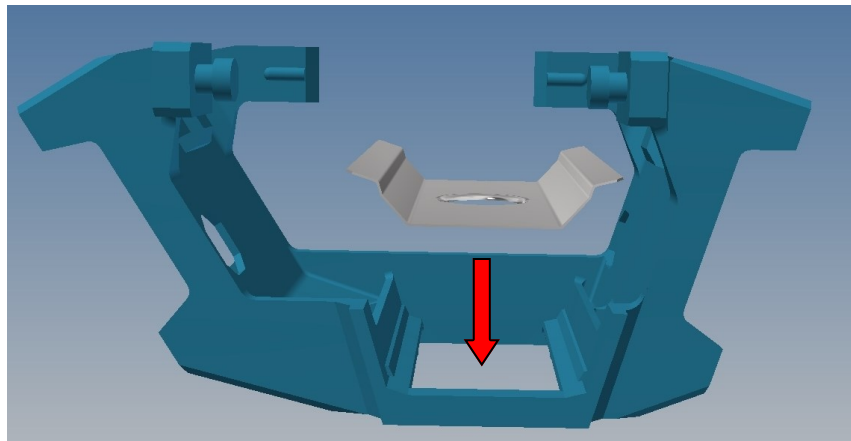


What needs to be obtained

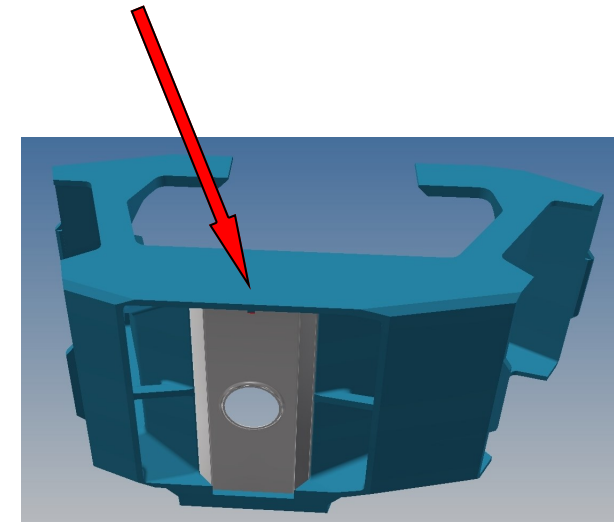


Now insert down and clip the metal air deflector in the Fan duct as shown below

The small mark needs to be oriented to the Fan duct front side



clip



DONE