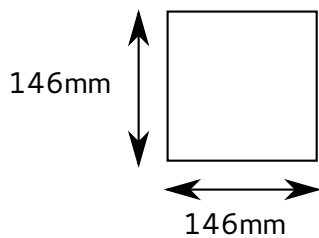
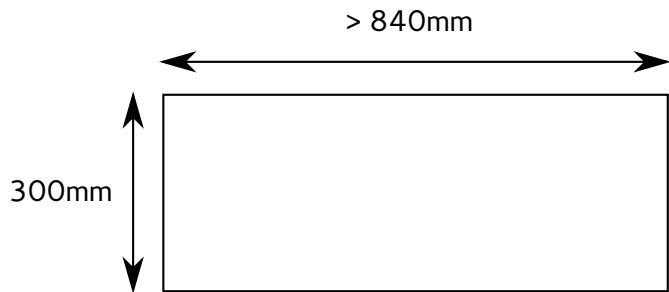


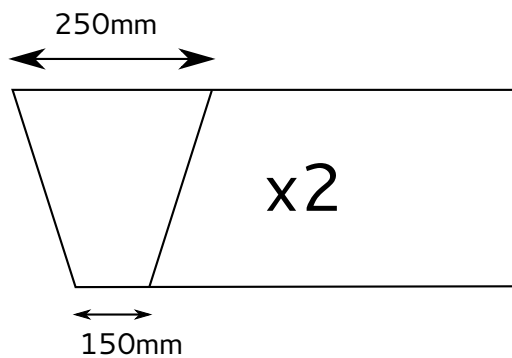
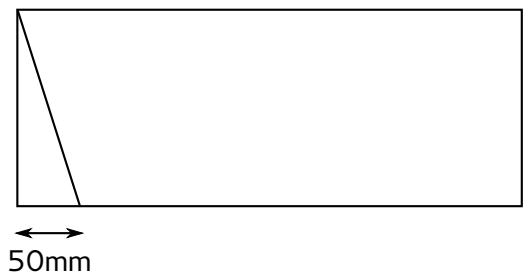
Making the Ultibin

Start with a strip of 9mm thick plywood 300mm wide and at least 840mm long.



You'll also need another piece of plywood 146mm square to form the bottom of the waste basket.

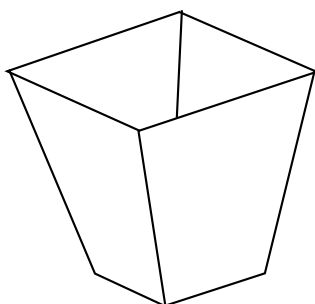
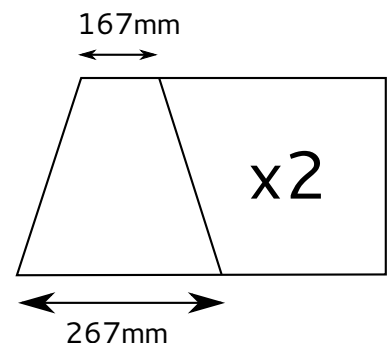
Measure a 50mm corner triangle and cut it off.



Measure a trapezoid 250mm wide at the top and 150mm wide at the bottom and cut it off.

Repeat this step to make a second identical trapezoid.

Continue to make two larger trapezoids that are 267mm at the top and 167mm at the bottom.



Assemble the wastebasket with the two larger trapezoids on opposite sides. For best results, sand the faces and edges of the plywood before applying varnish or wax.

Glue the wood into the printed parts to secure it all together. Optionally add some transparent bathroom sealant along the inside edges to stop things falling into the gaps.