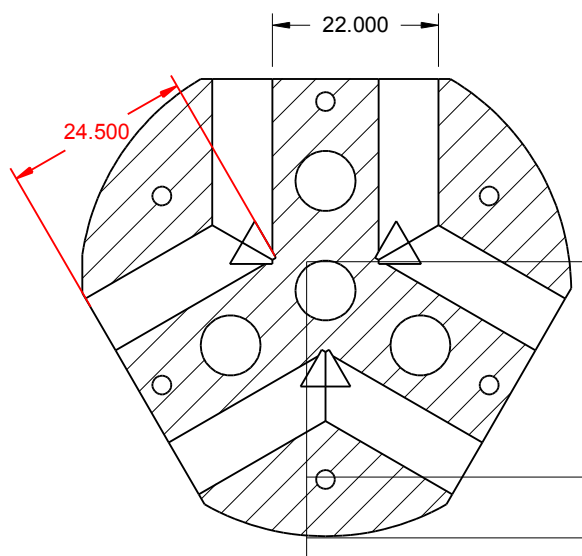
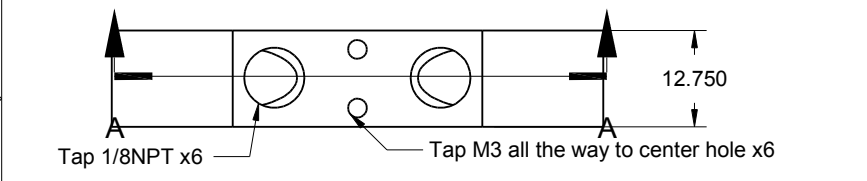


REVISIONS				
ZONE	REV	DESCRIPTION	DATE	APPROVED



**Section A-A**

DRAWN	DATE			
CHECKED				
QA				
MFG		SIZE <b>A</b>	FSCM NO.	DWG NO.
APPROVED		SCALE		REV
				SHEET

