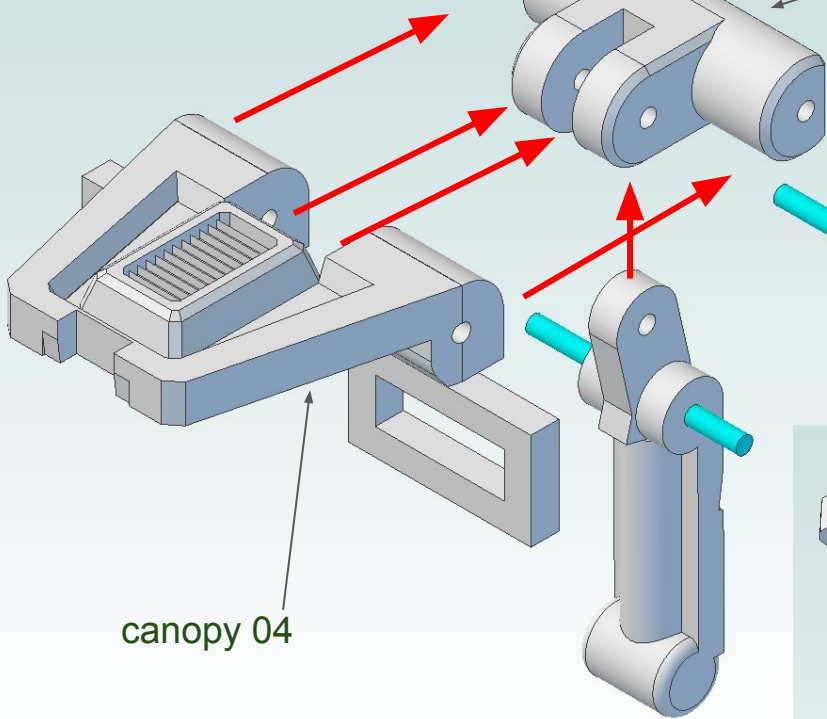
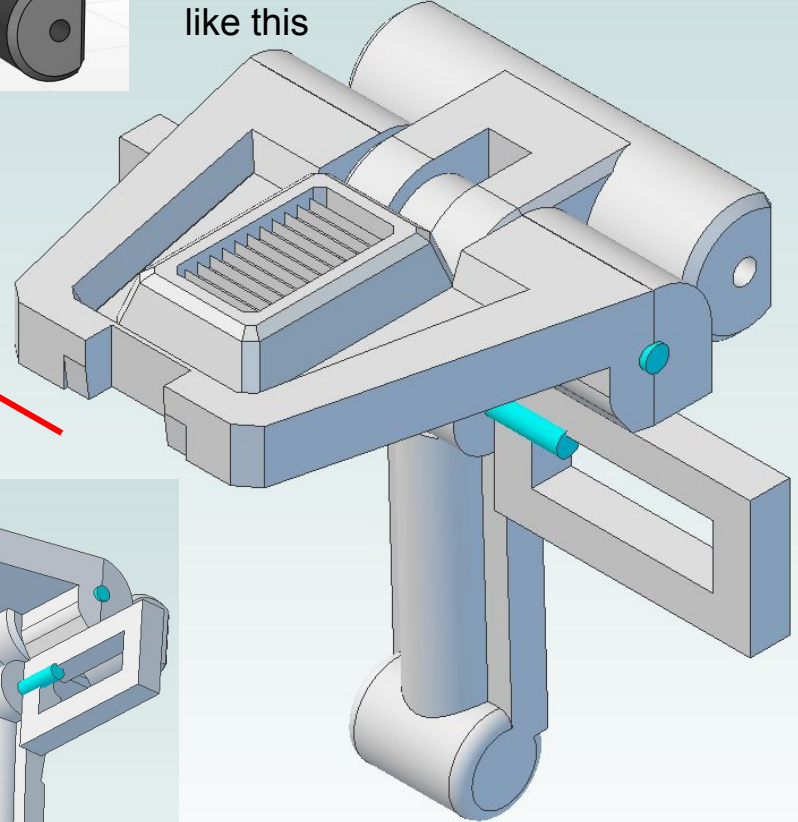


canopy 03

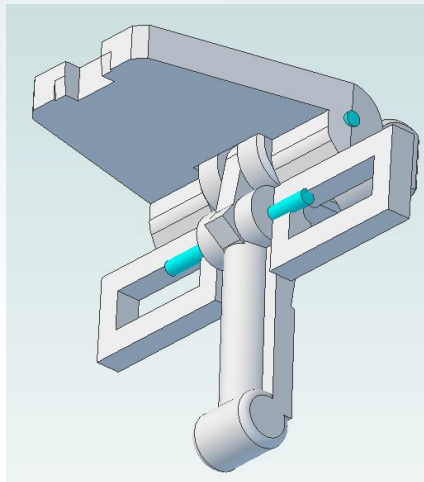
canopy03 is undercut from one side and this side needs to be facing down like this



19mm



canopy 04



canopy insert 02

canopy 09

canopy insert 01

canopy 08

INSIDE

OUTSIDE

10mm!!!

10mm!!!

11mm

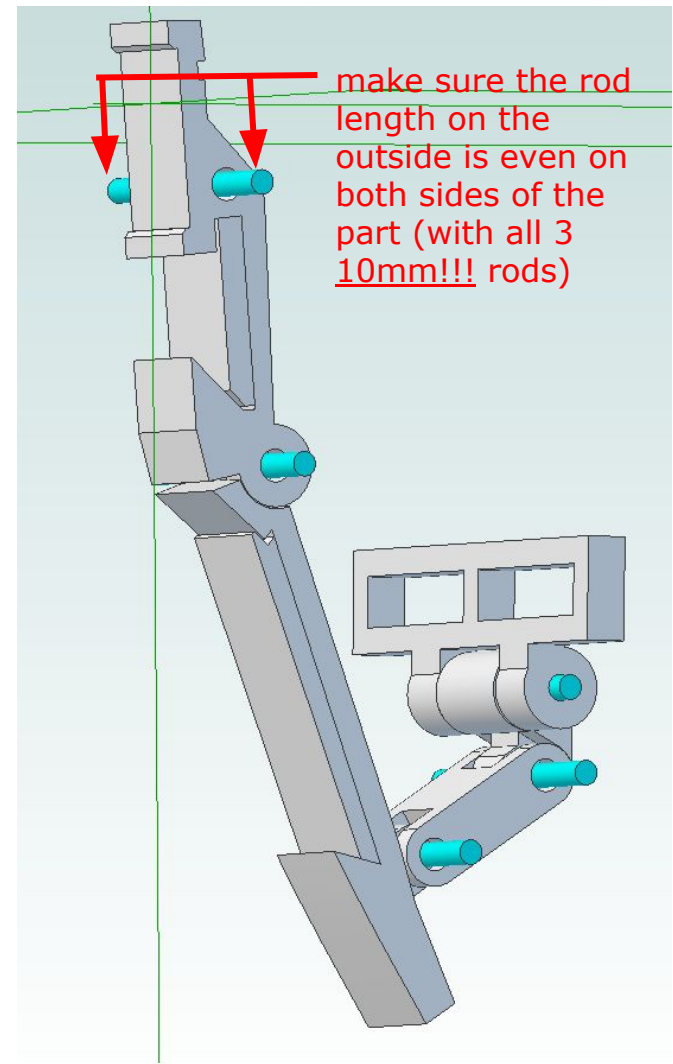
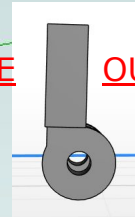
6mm

10mm!!!

canopy 03

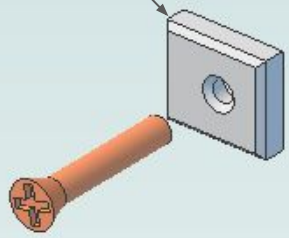
canopy 03

canopy 07

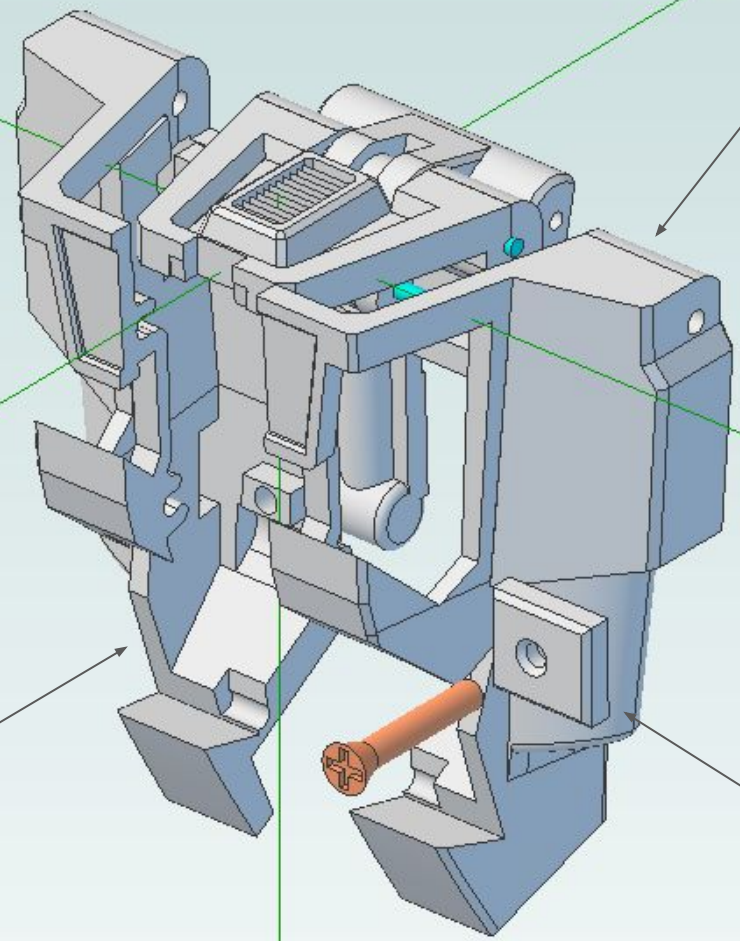


make sure the rod length on the outside is even on both sides of the part (with all 3 10mm!!! rods)

canopy 10

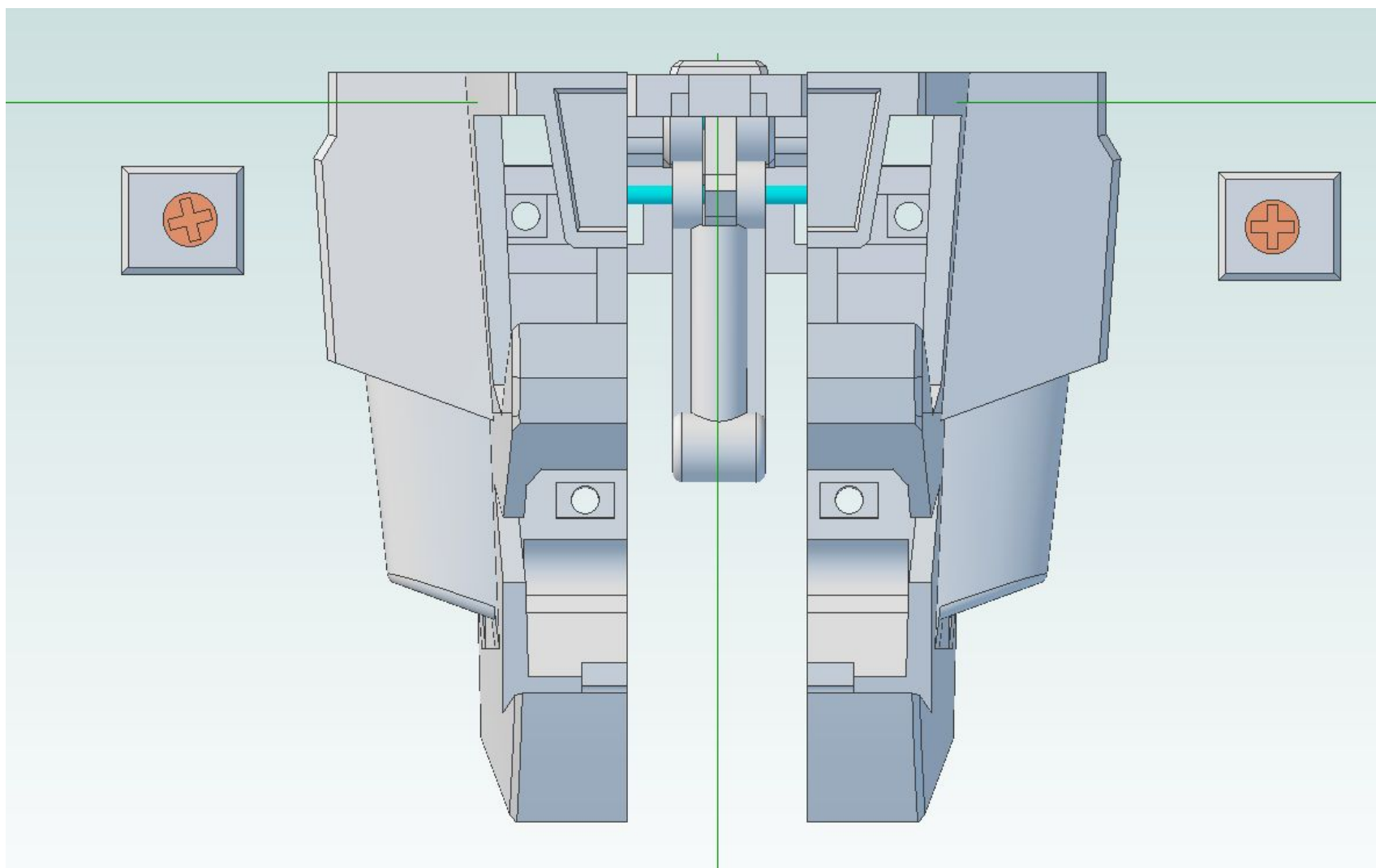


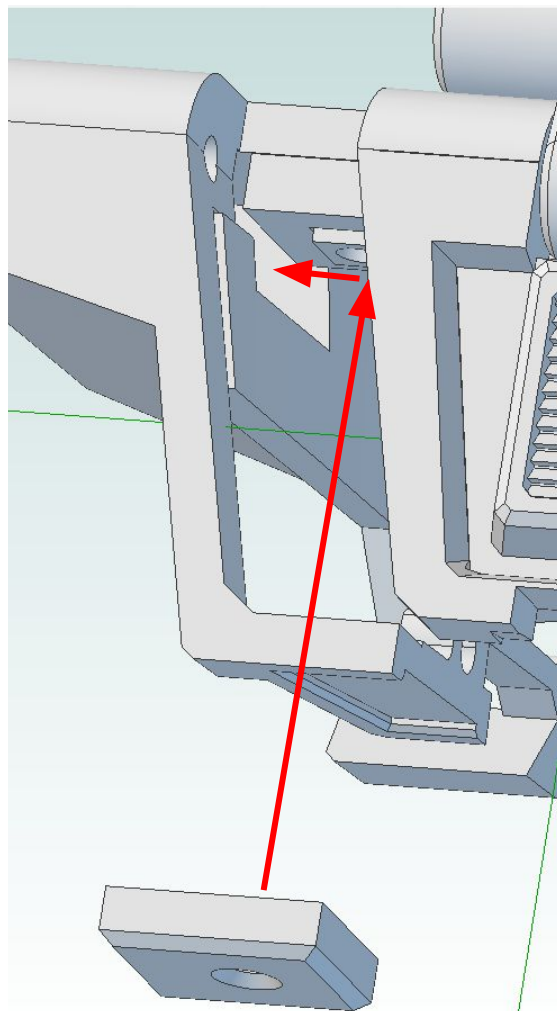
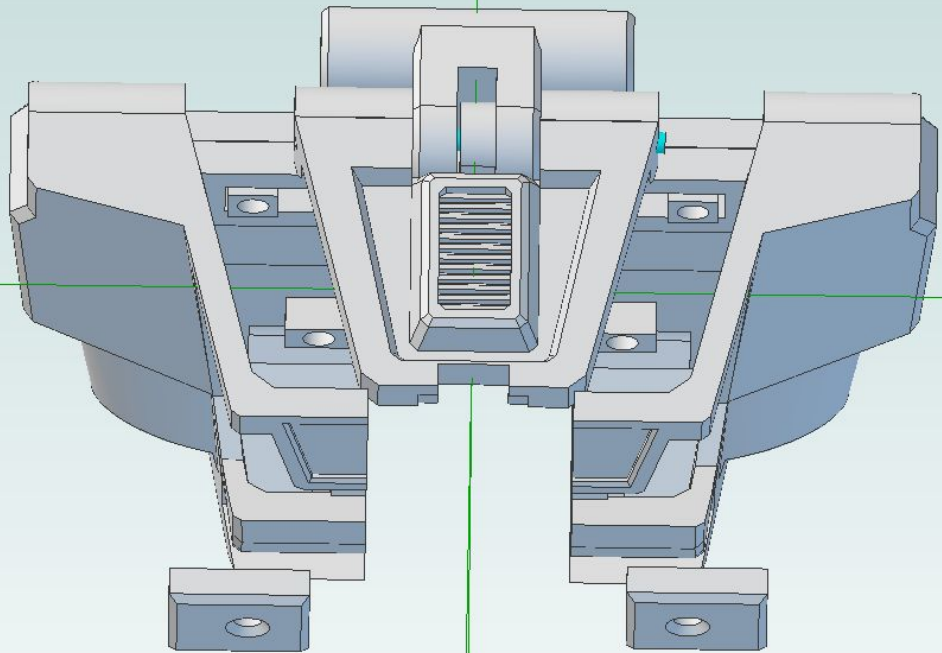
canopy 11

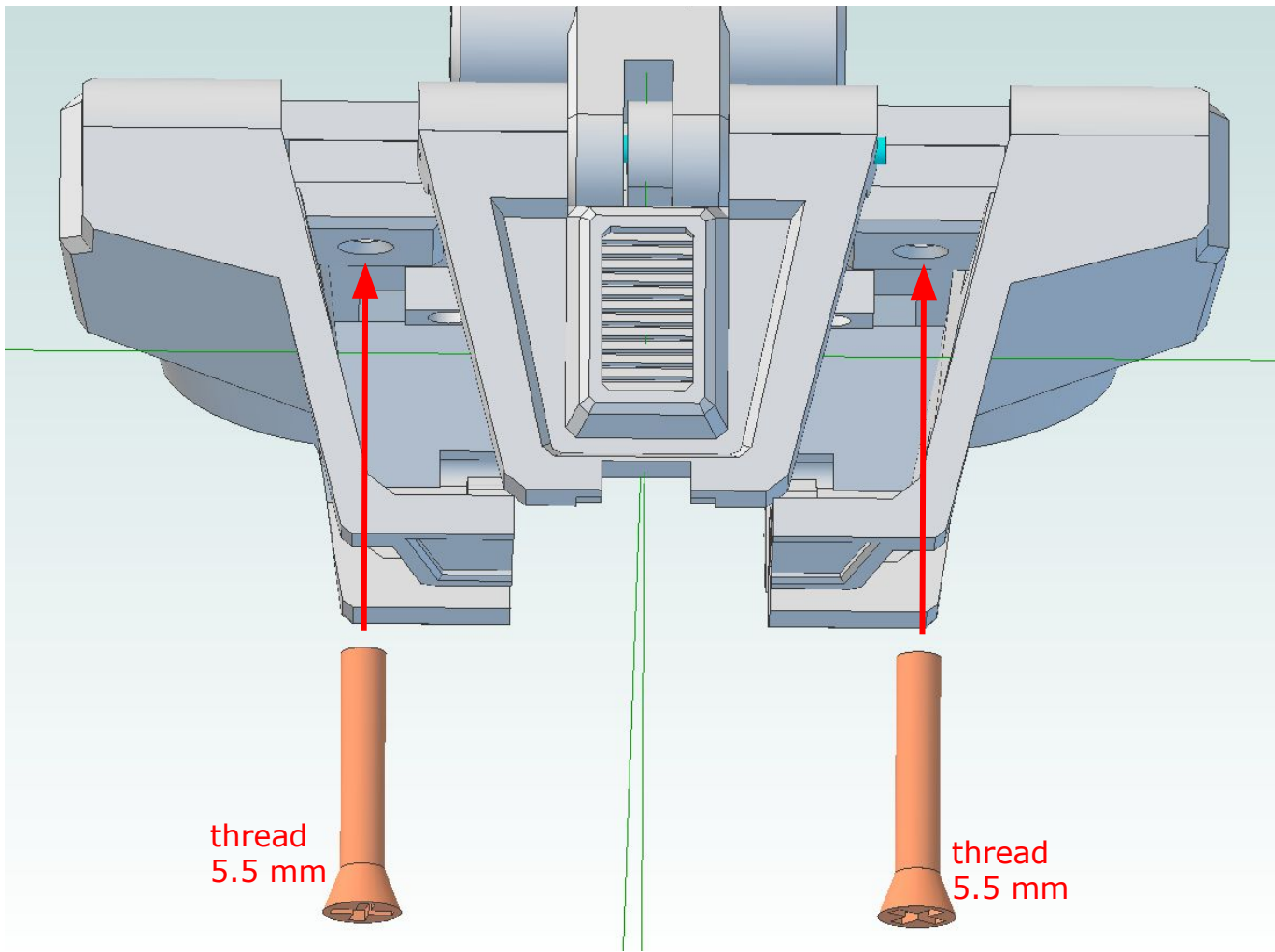


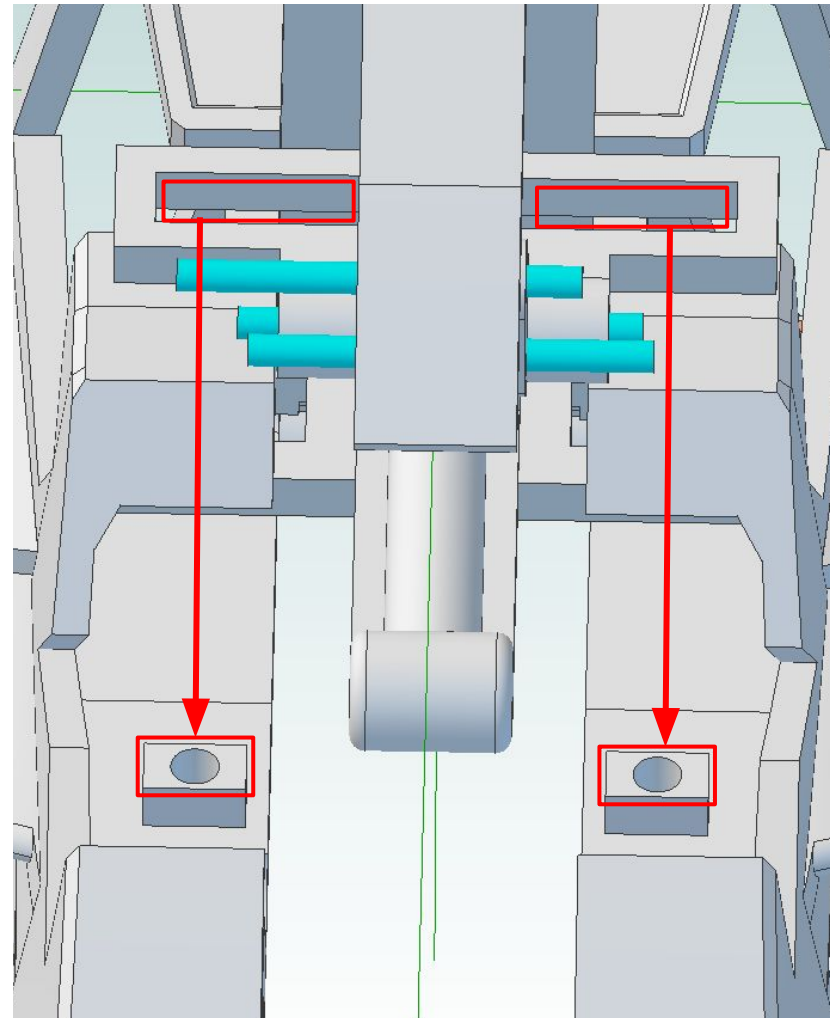
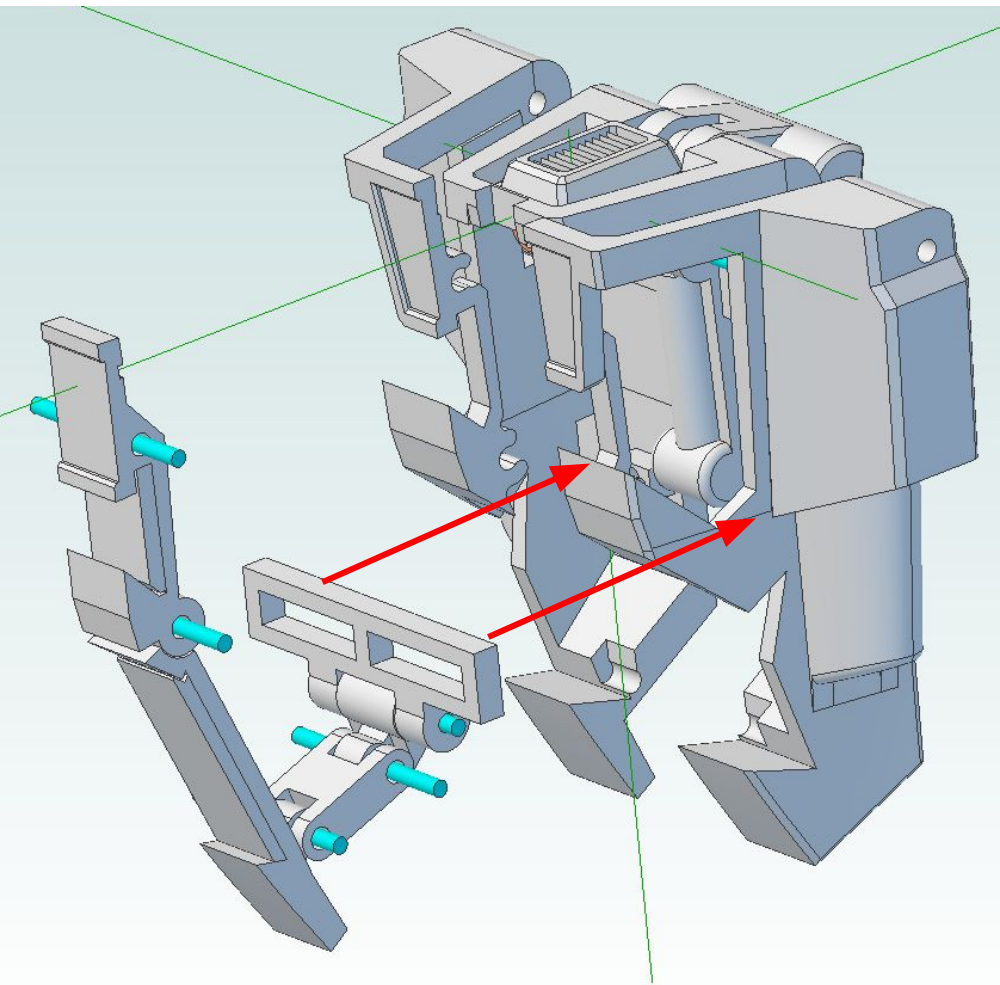
canopy 12

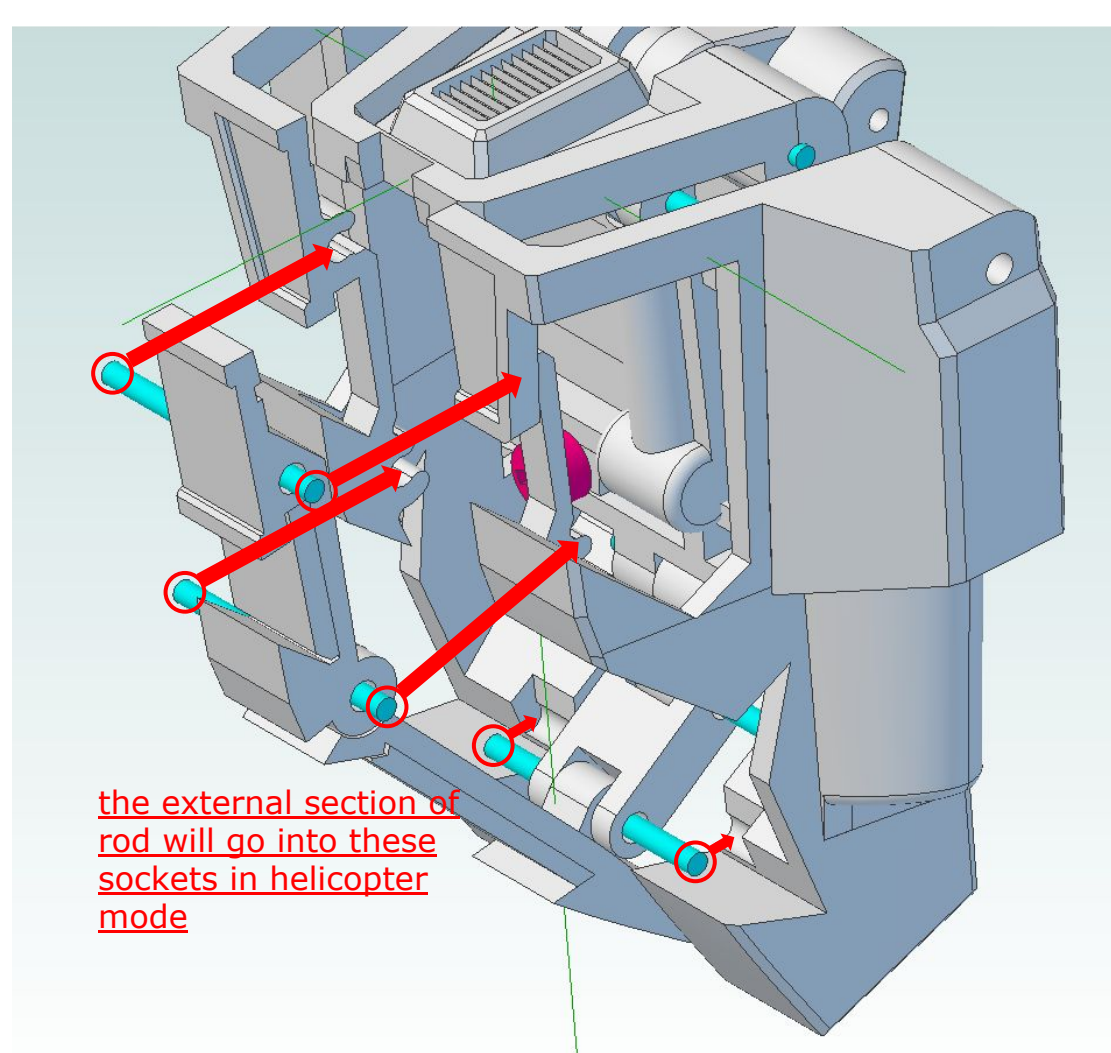
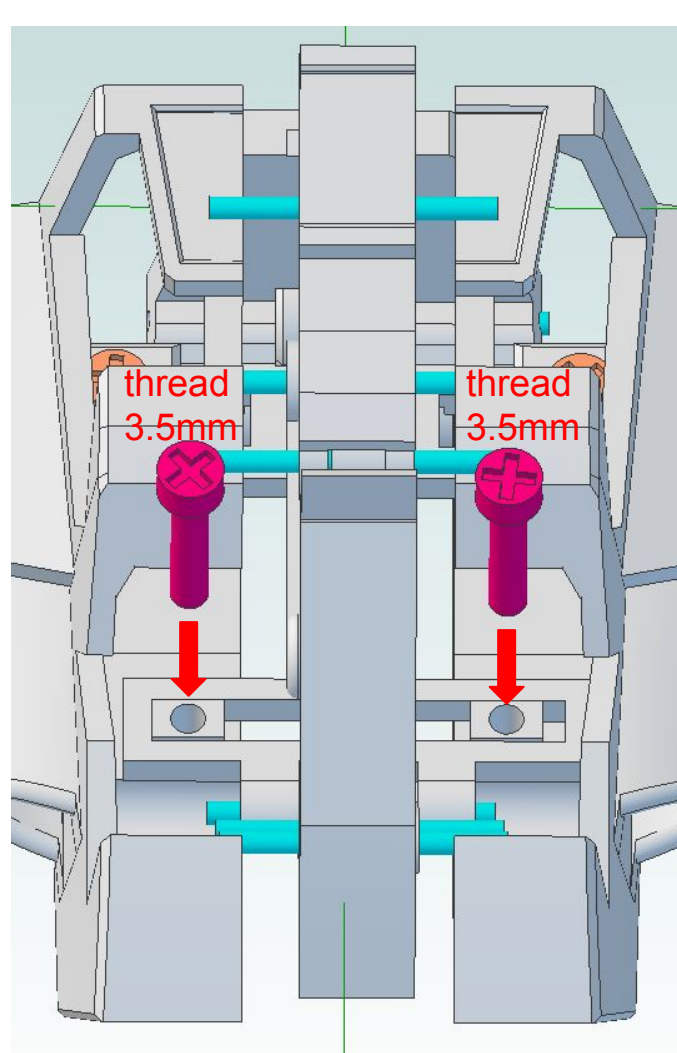
canopy 10











canopy
insert 03 R

canopy
insert 03 L

canopy
insert 04 R

canopy
insert 04 L

