

tail 06

2x8mm

tail 08

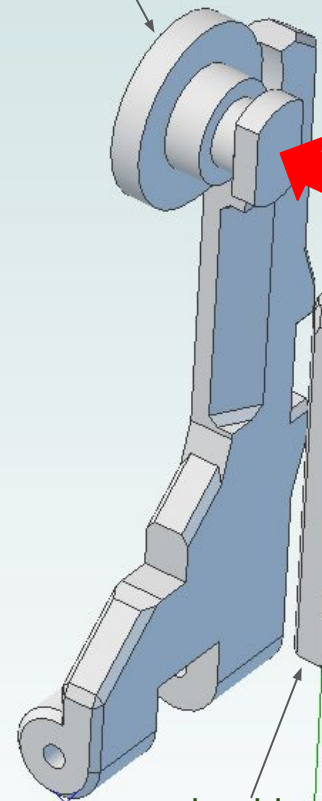
tail 09

10-11mm

tail 07

shoulder 01

thread 4mm

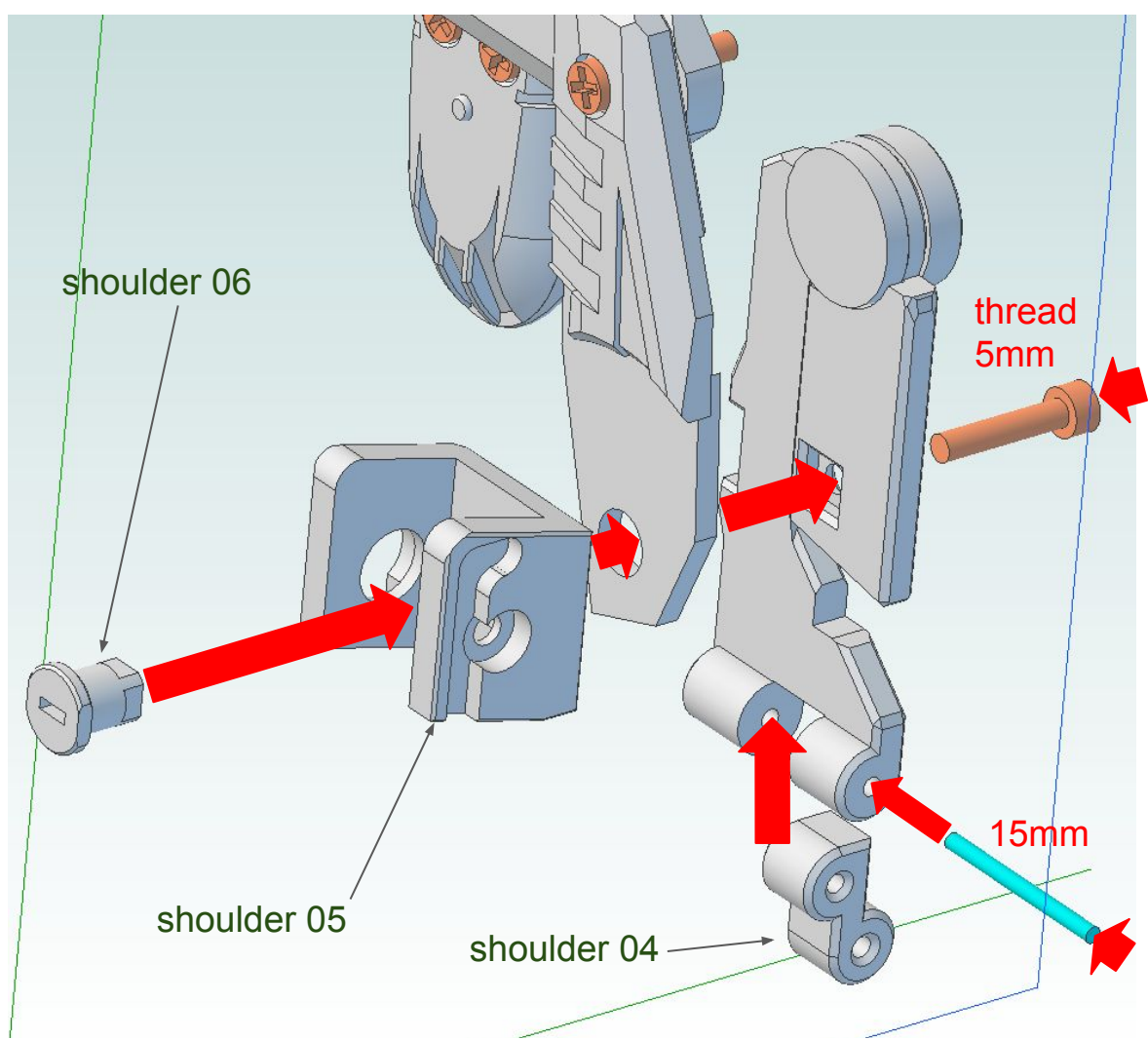
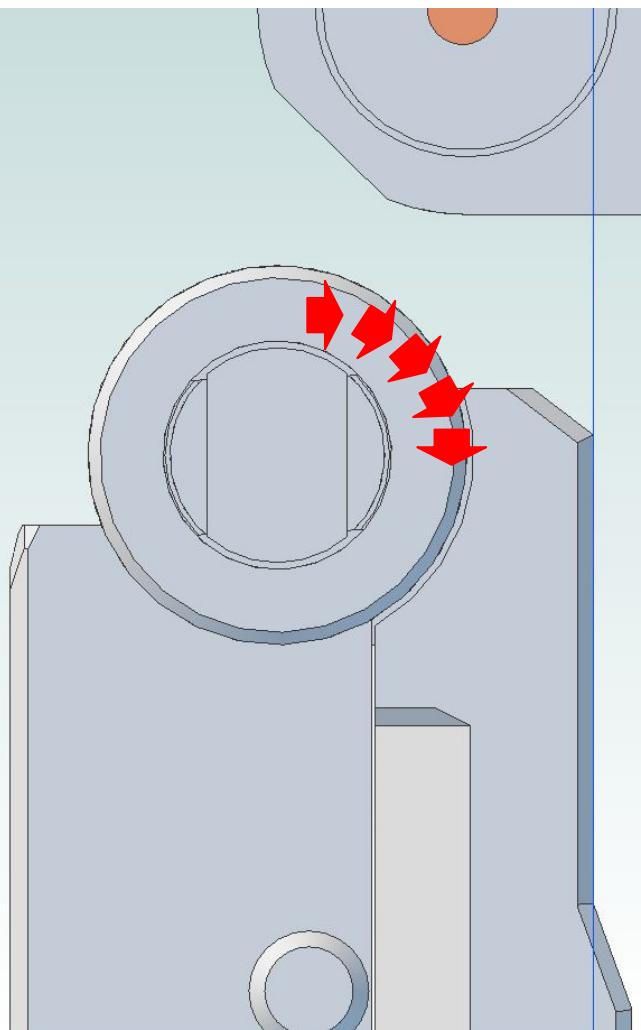


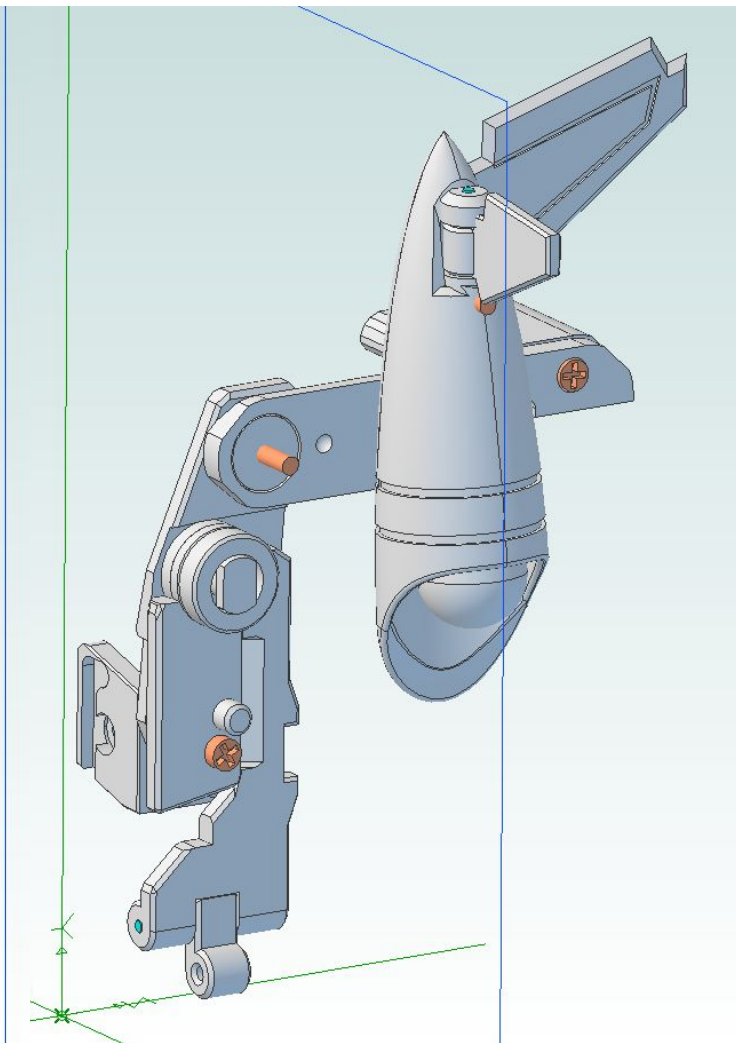
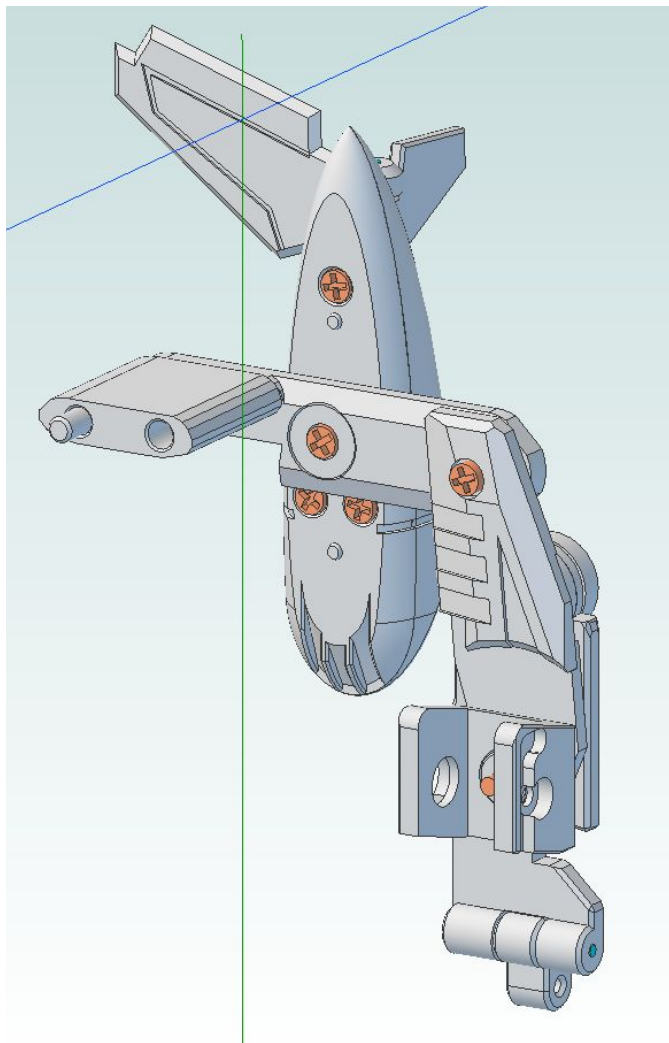
shoulder 02

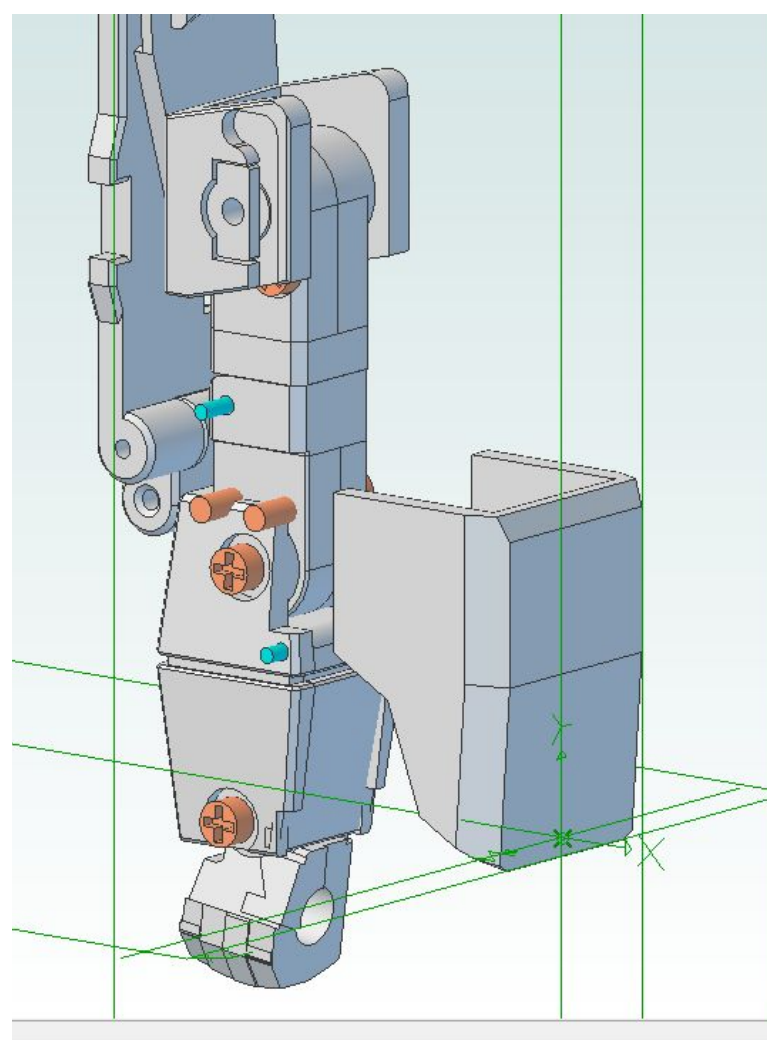
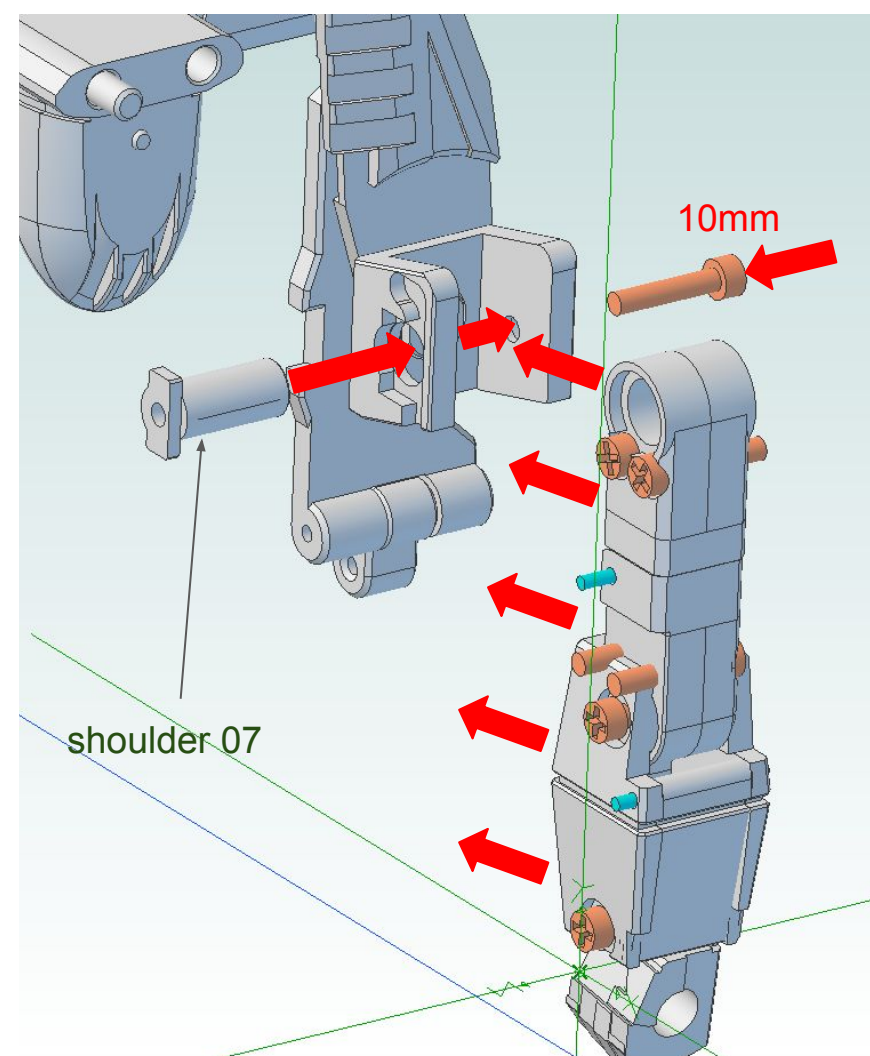
shoulder 03

tail 11

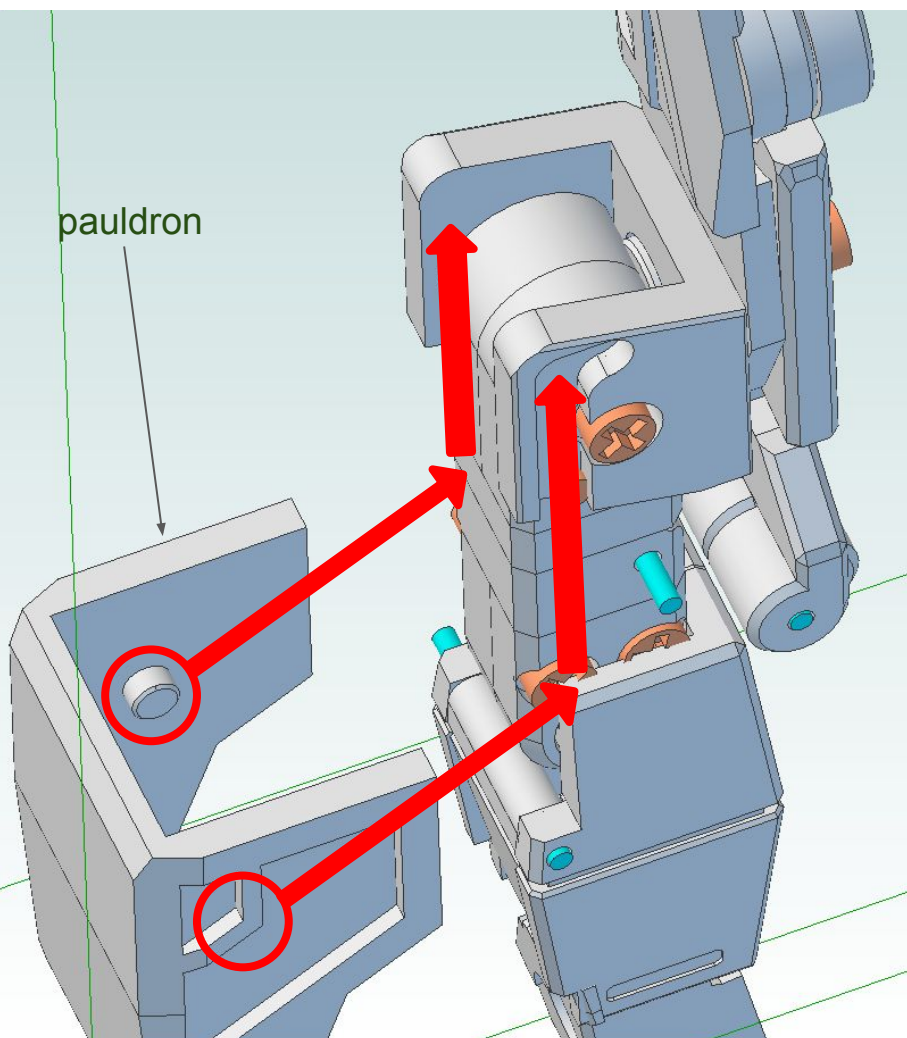
tail 10







pauldron



pauldron
insert

