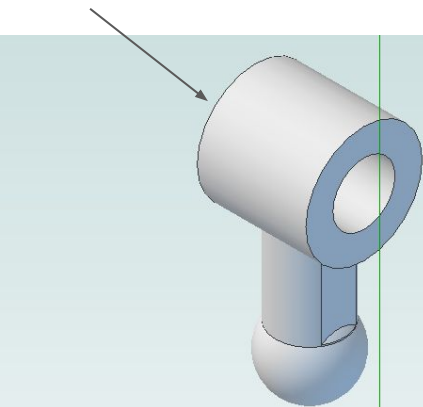
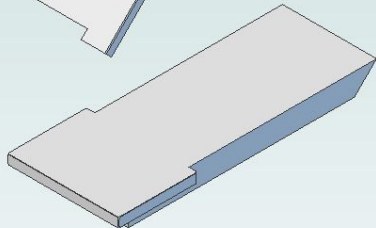
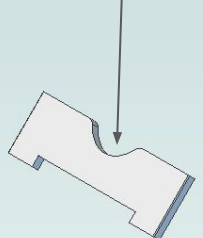


foot 02

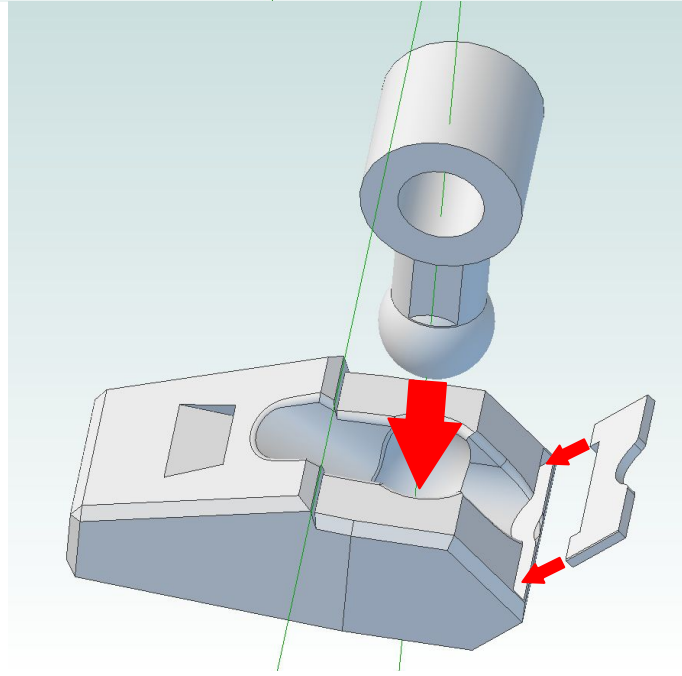
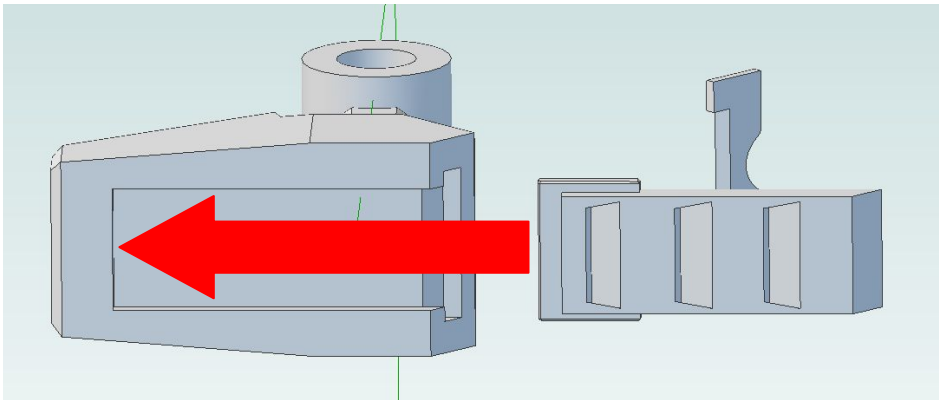
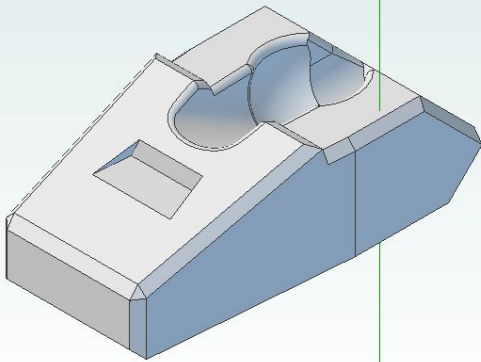


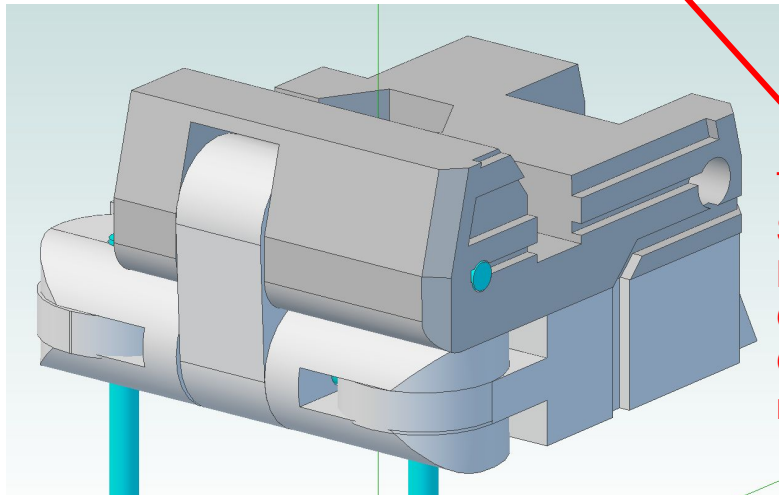
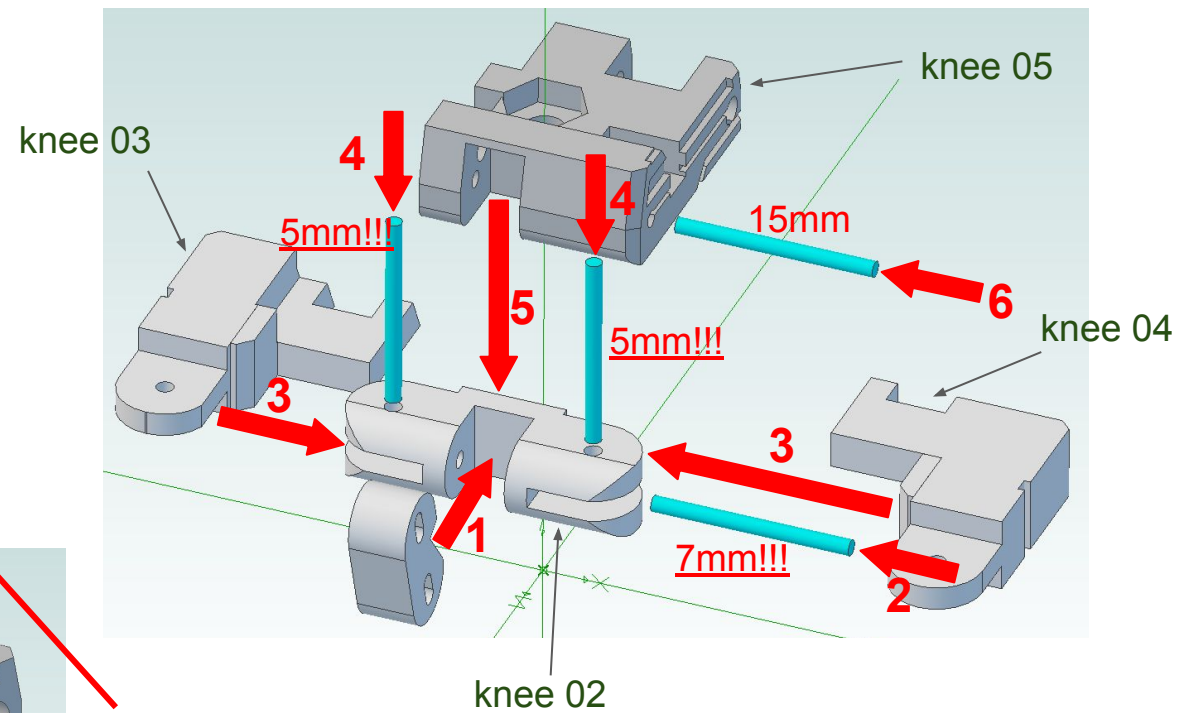
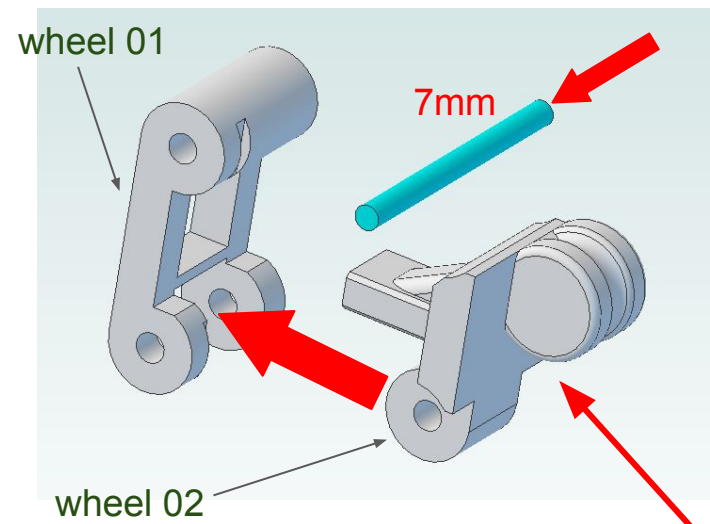
foot 04



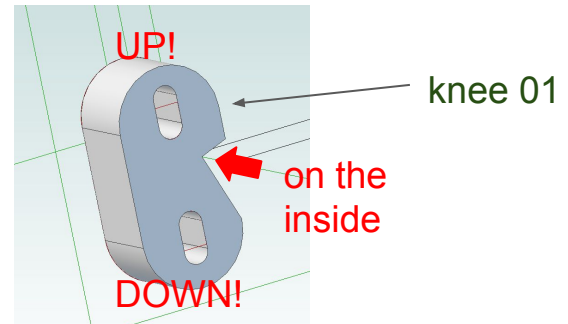
foot 03

foot 01





THIS PART IS SUPPOSED TO BE MIRRORED-WHEEL ON THE LEFT NOT ON THE RIGHT (my mistake in manual)



nut max 2mm x
5.6mm (side to
side)

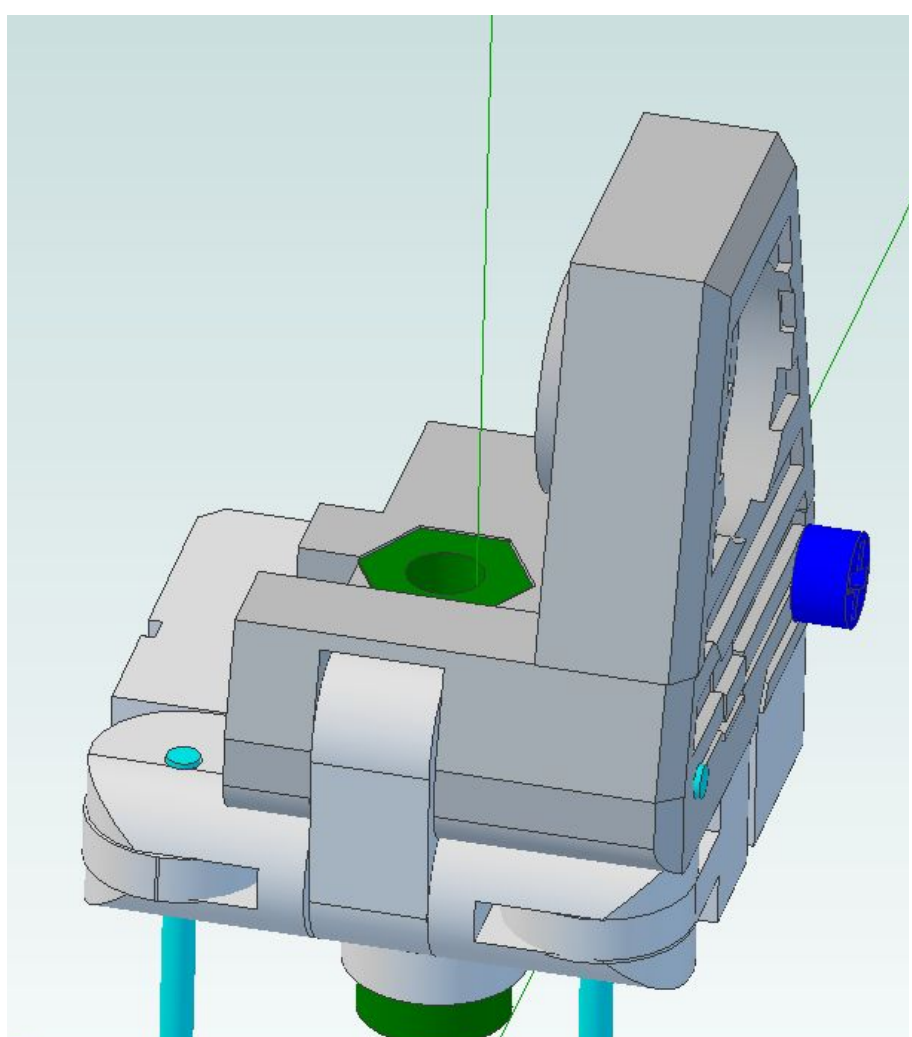
knee 06

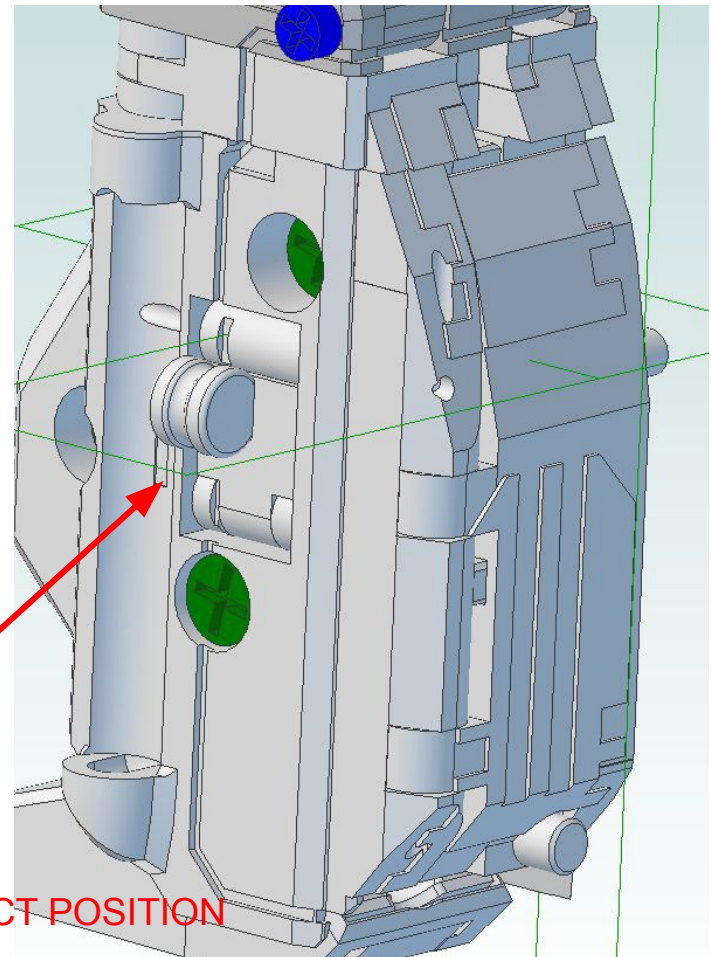
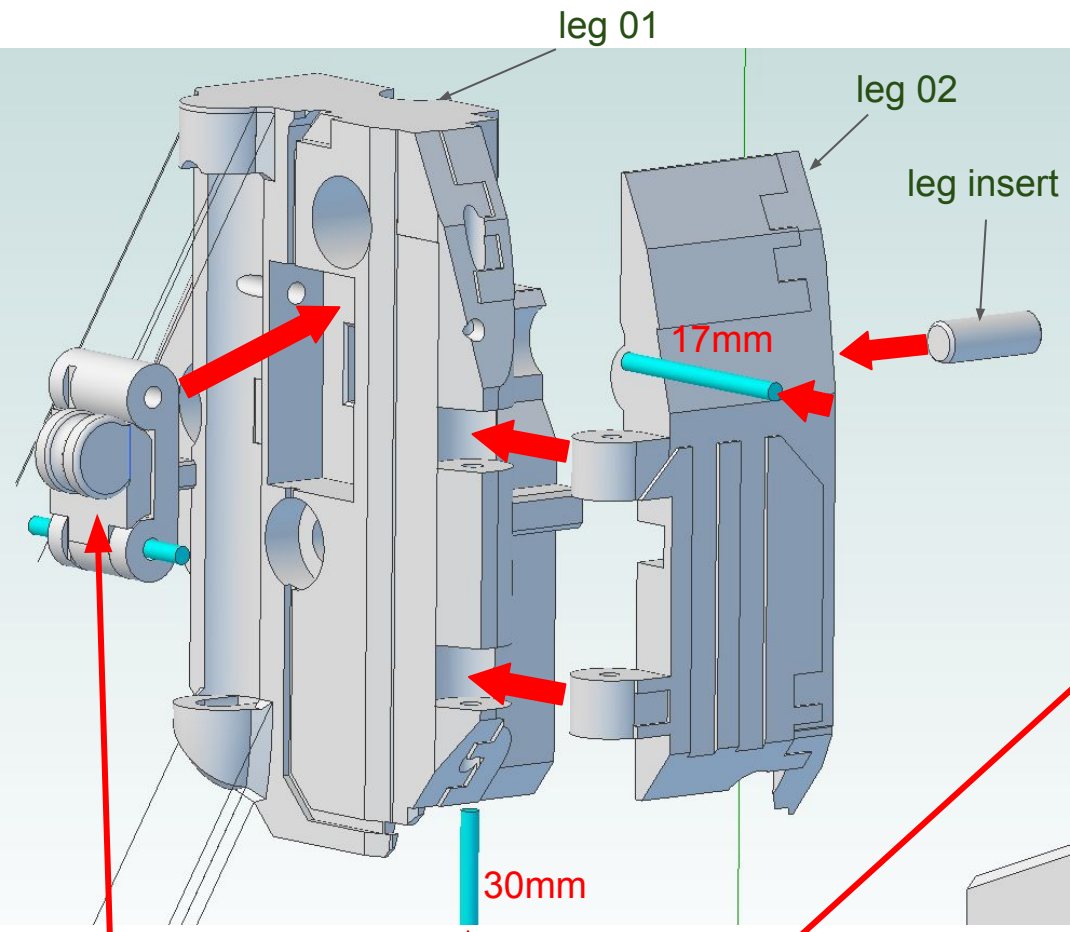
thread
10mm

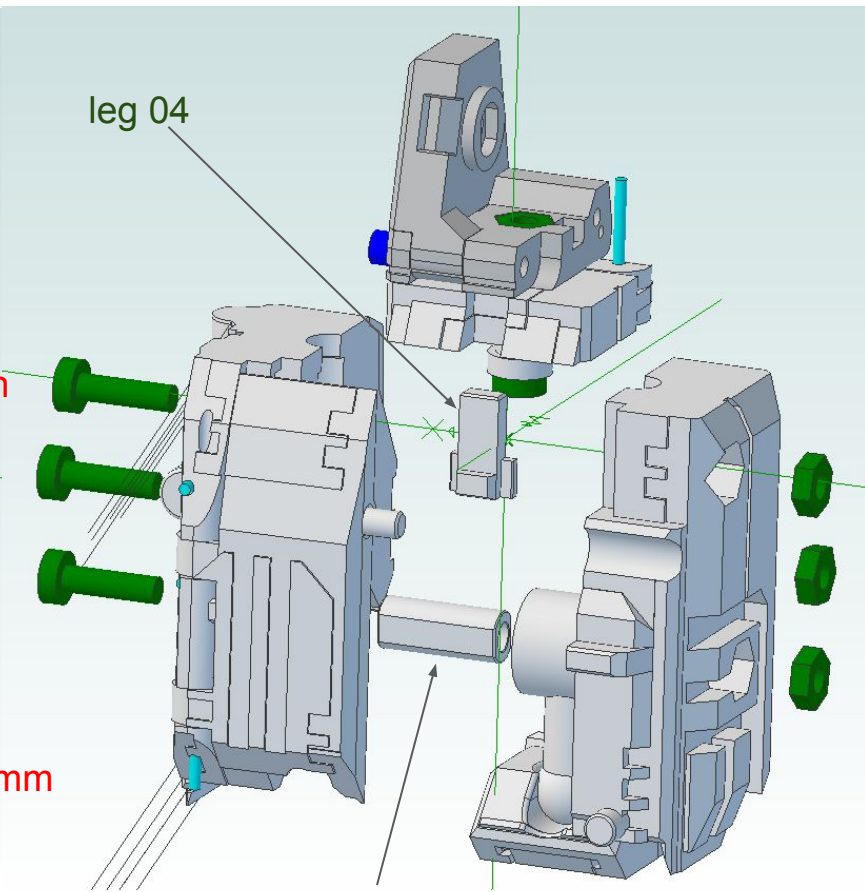
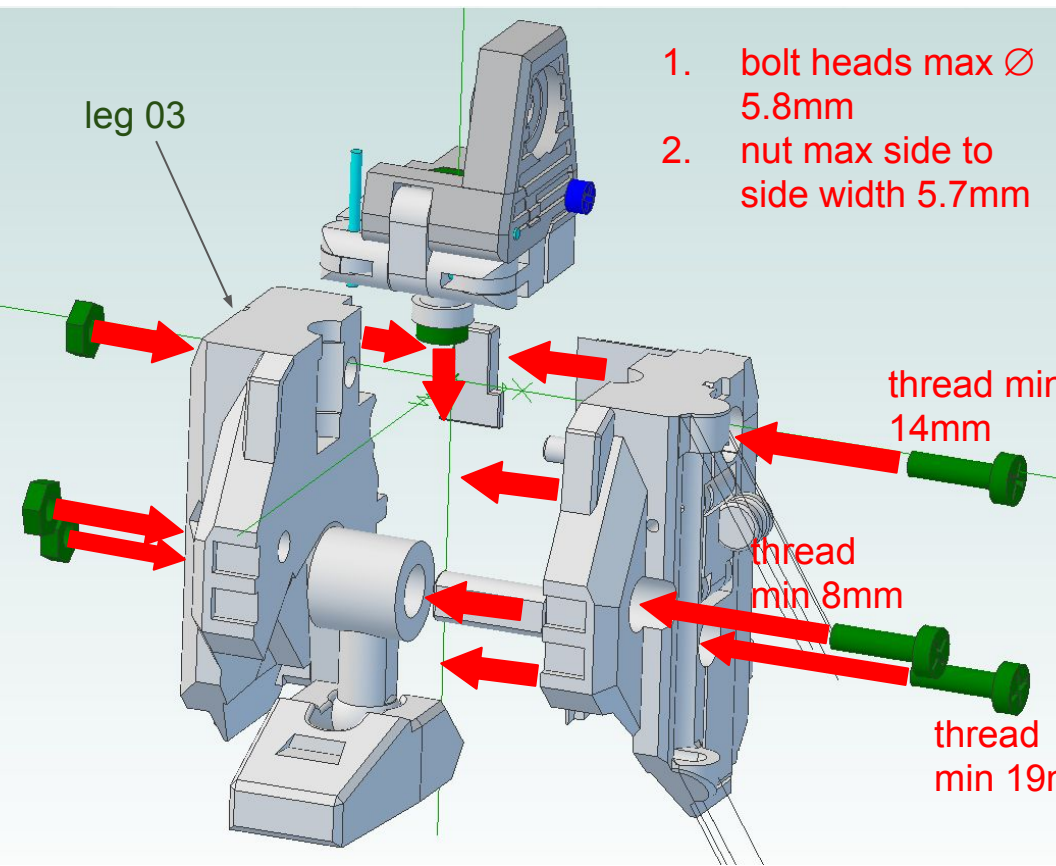
knee 07

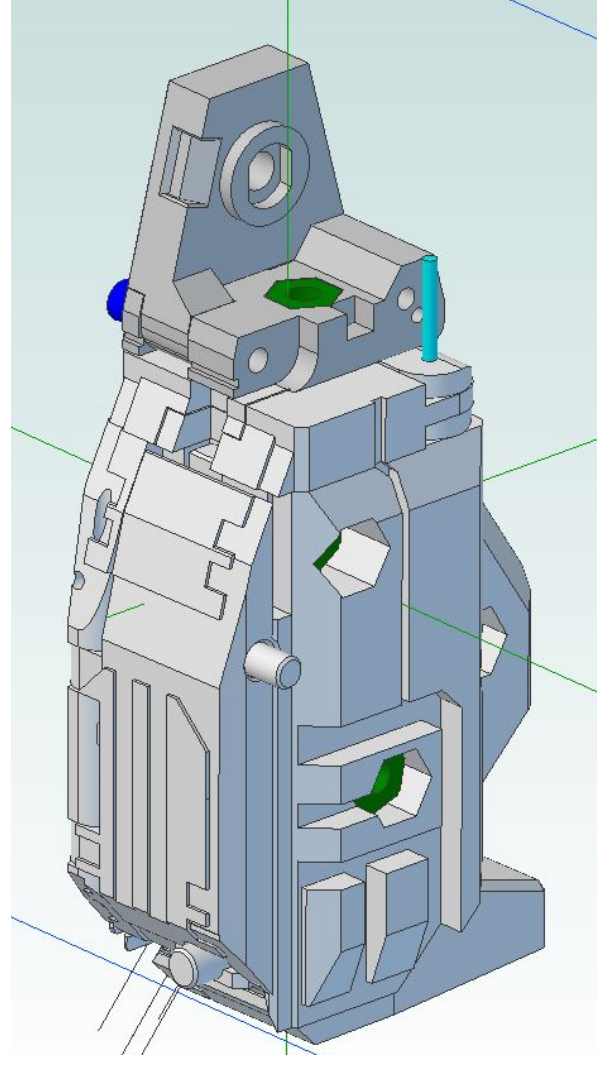
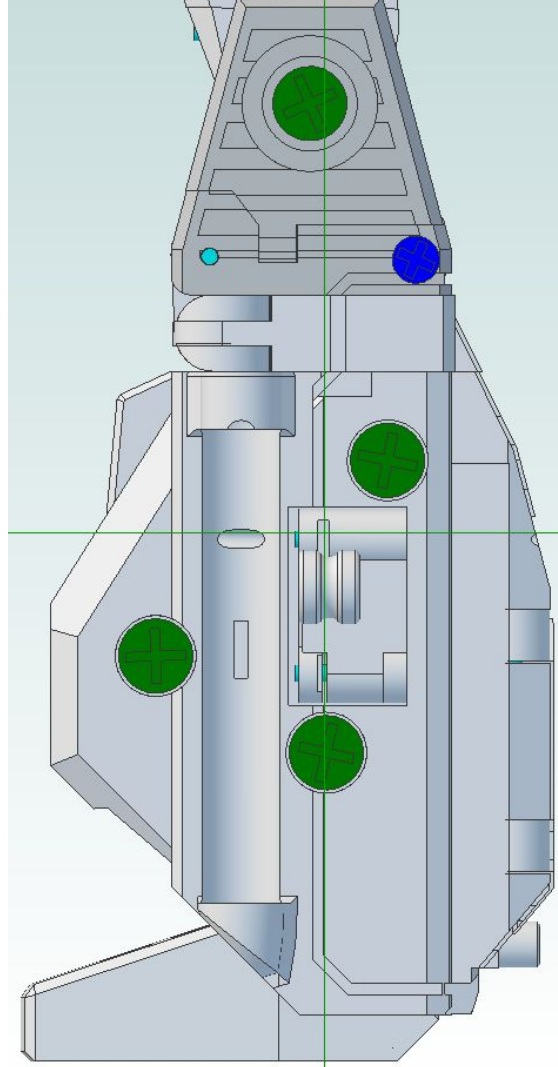
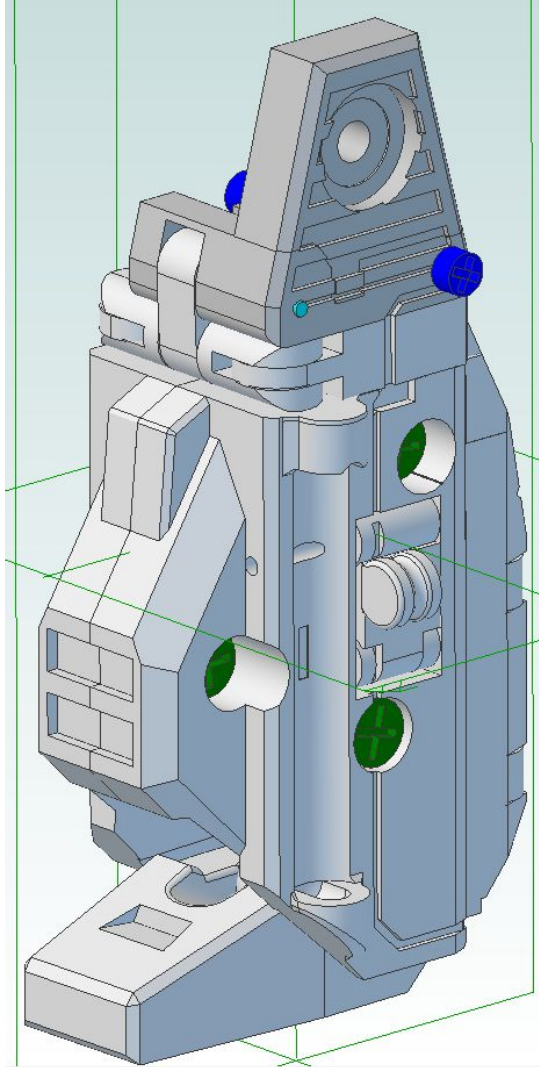
bolt head
max 2.6mm
x \varnothing 6mm

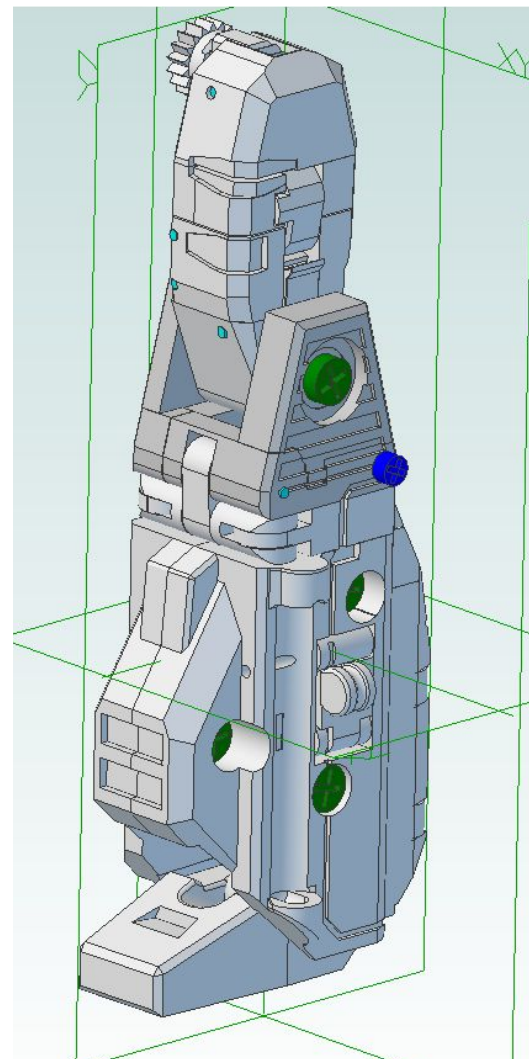
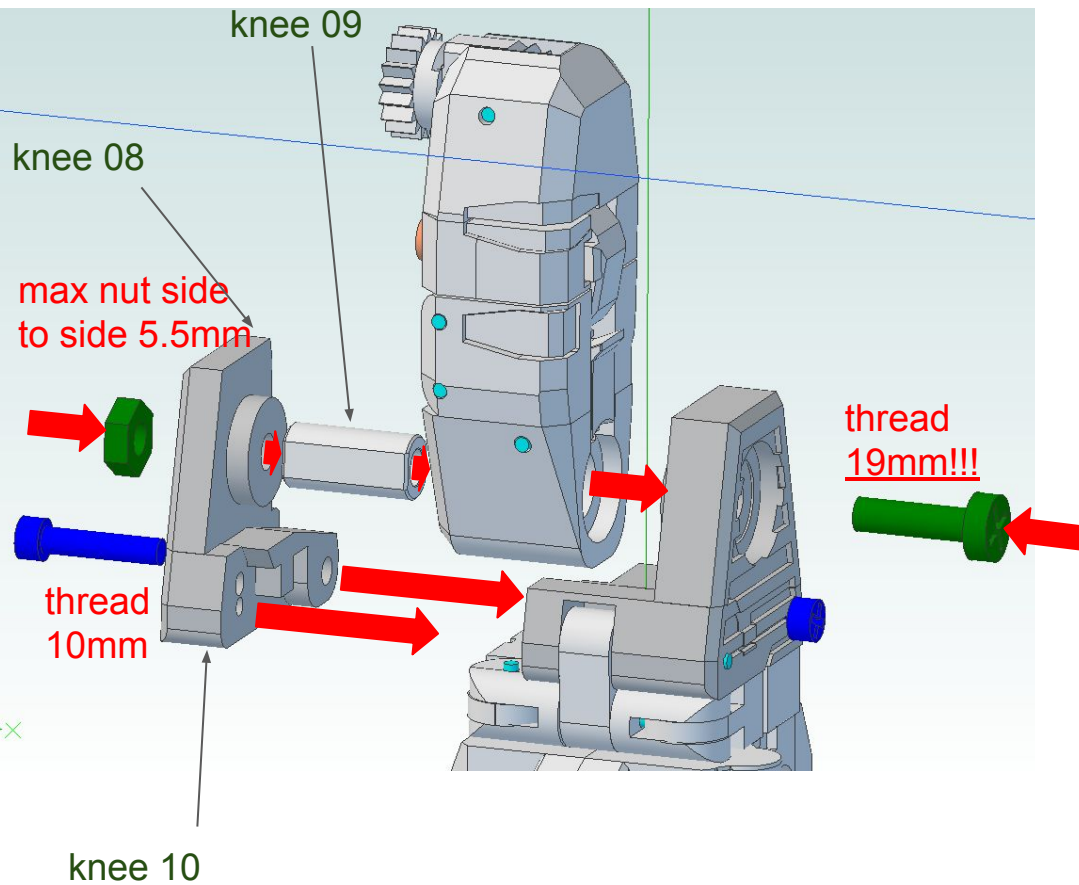
thread
15-16mm

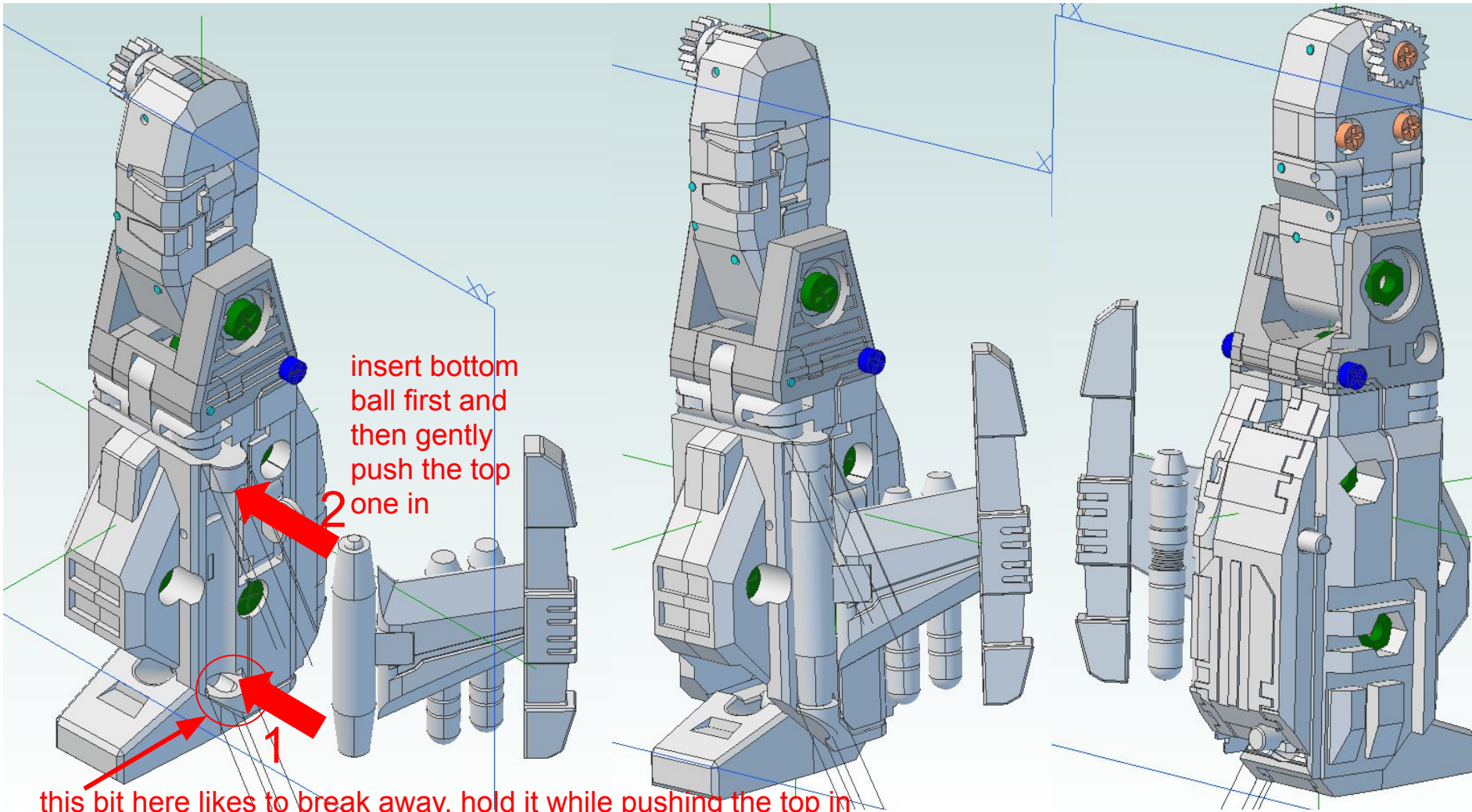












insert bottom ball first and then gently push the top one in

2

1

this bit here likes to break away, hold it while pushing the top in

