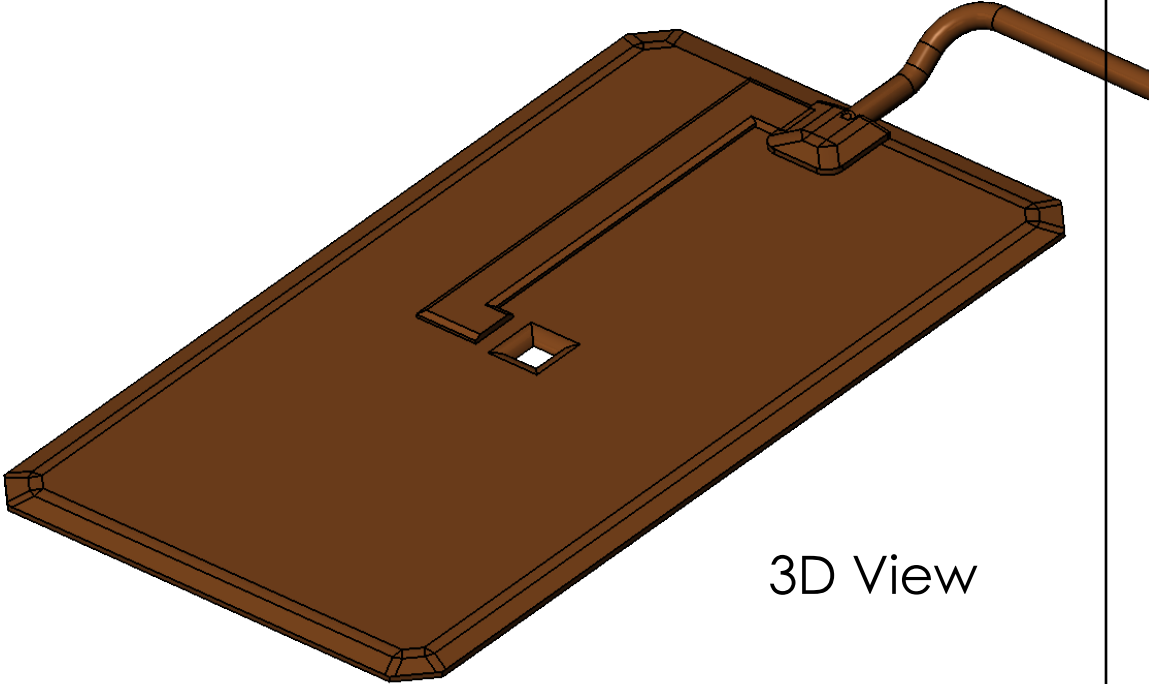
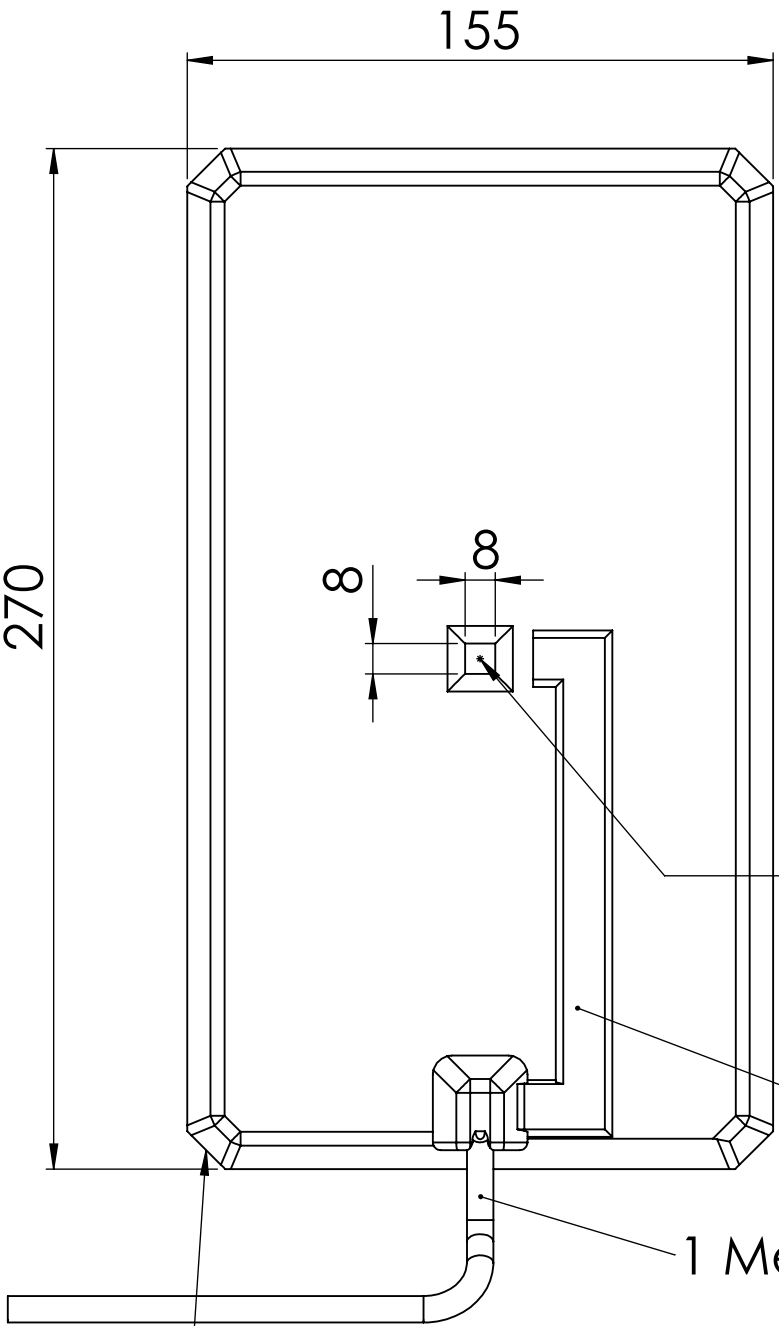


Heater Power: 200W at 120V



3D View

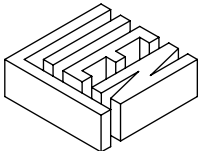


Hole in center of pad, thermistor loose at hole in pad to allow the thermistor to be mounted directly against aluminum heat spreader. (hole is 8mmx8mm)

Thermistor wires covered as they route to center hole.

1 Meter Long Power and Thermistor Leads

10 X 45° Chamfer



DRAWING NAME:	Adoptabot_HP		DRAWING #:	AB_HP1	
SCALE:	1:2	SHEET SIZE:	ANSI A(8.5x11)	DATE:	09-18-17
DRAWN:	ECL	DIM UNITS:	mm	REVISION:	R00
MATERIAL:	Silicon Heater		FINISH:		