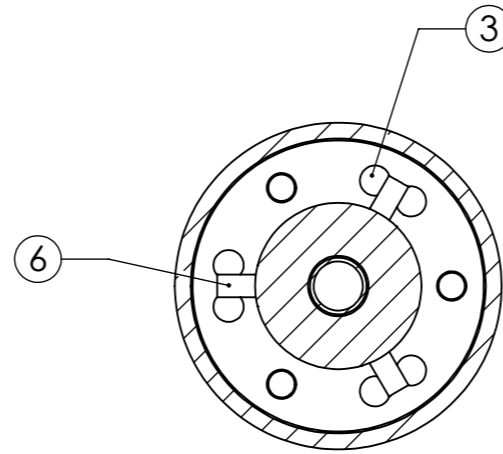
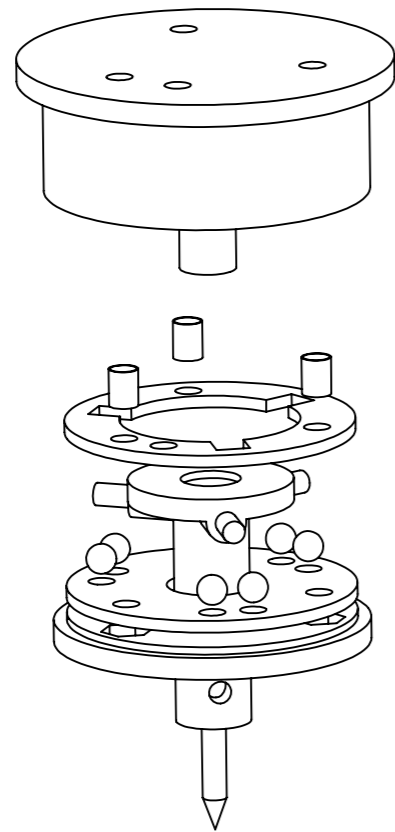


A-A

B-B



C-C

10	Spring2^Sensor probe	1
9	Spring^Sensor probe	3
8	Cover	1
7	probe	1
6	Contact pin	3
5	Pin holder w holes	1
4	PCB2	1
3	4mmBall	6
2	PCB1	1
1	Base plate	1
ITEM NO.	Name	Qty

UNLESS OTHERWISE SPECIFIED: DIMENSIONS ARE IN MILLIMETERS SURFACE FINISH: TOLERANCES: LINEAR: ANGULAR:				FINISH:		DEBUR AND BREAK SHARP EDGES		DO NOT SCALE DRAWING		REVISION	
DRAWN	NAME	SIGNATURE	DATE			TITLE:					
CHK'D											
APPV'D											
MFG											
Q.A						MATERIAL:		DWG NO.		A3	
						WEIGHT: 0		SCALE:1:1		SHEET 1 OF 1	

Sensor probe