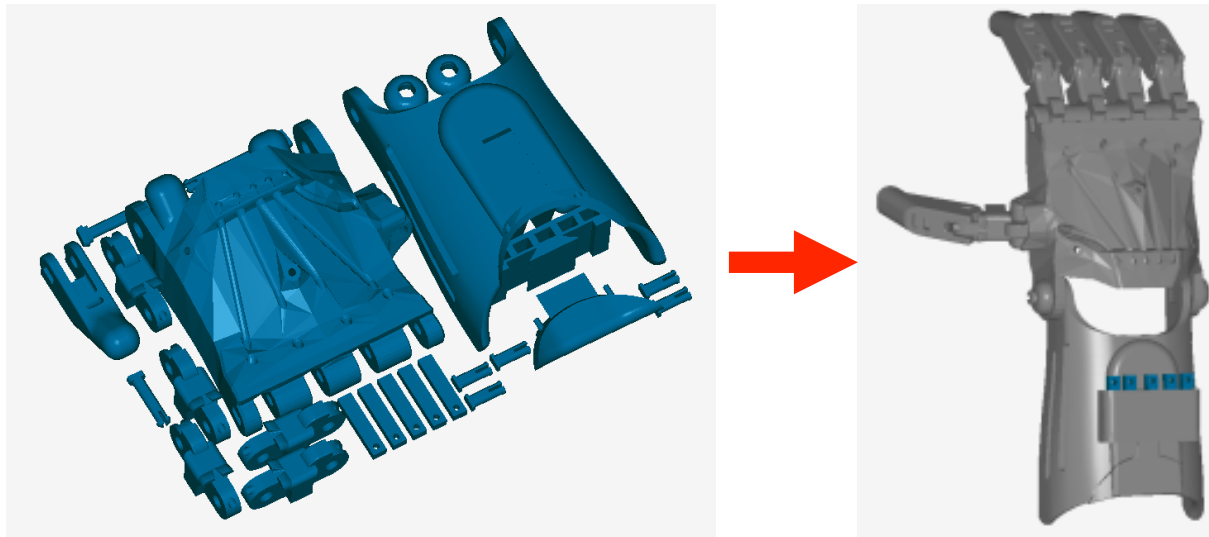


RAPTOR

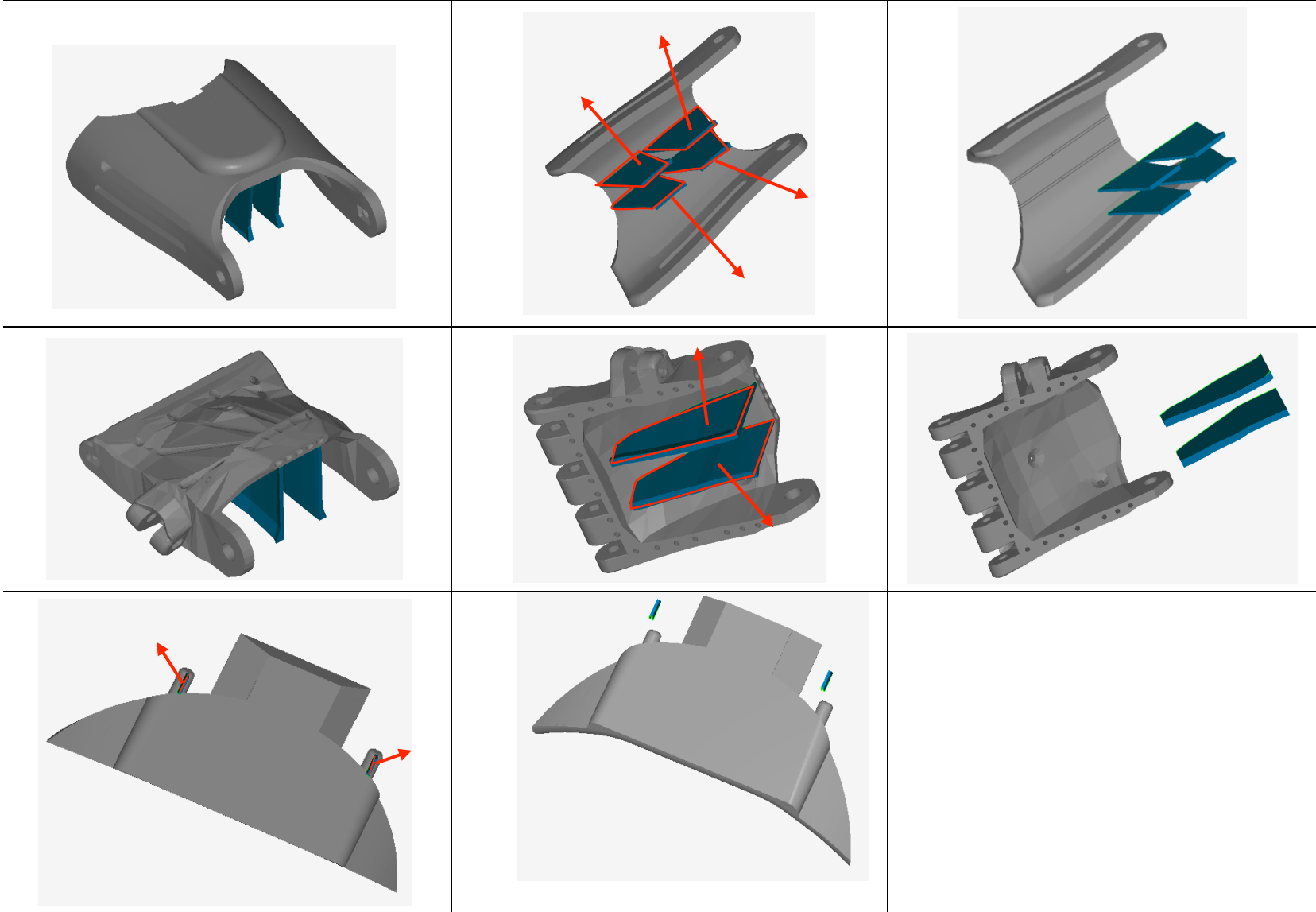


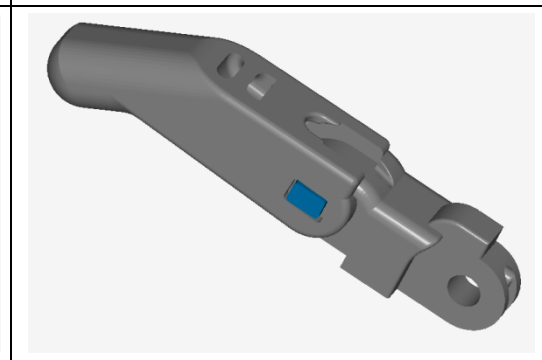
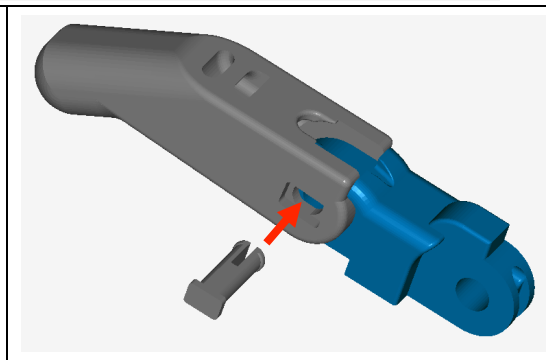
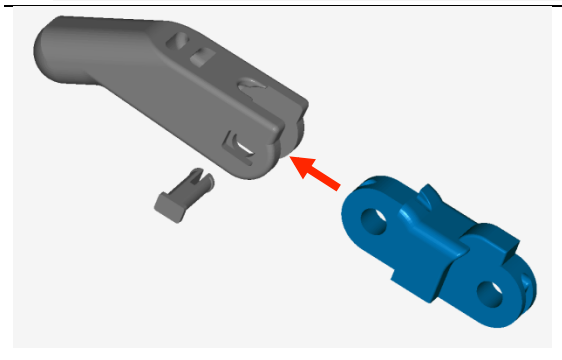
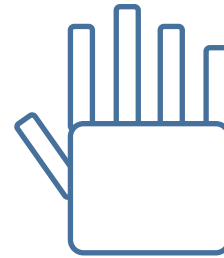
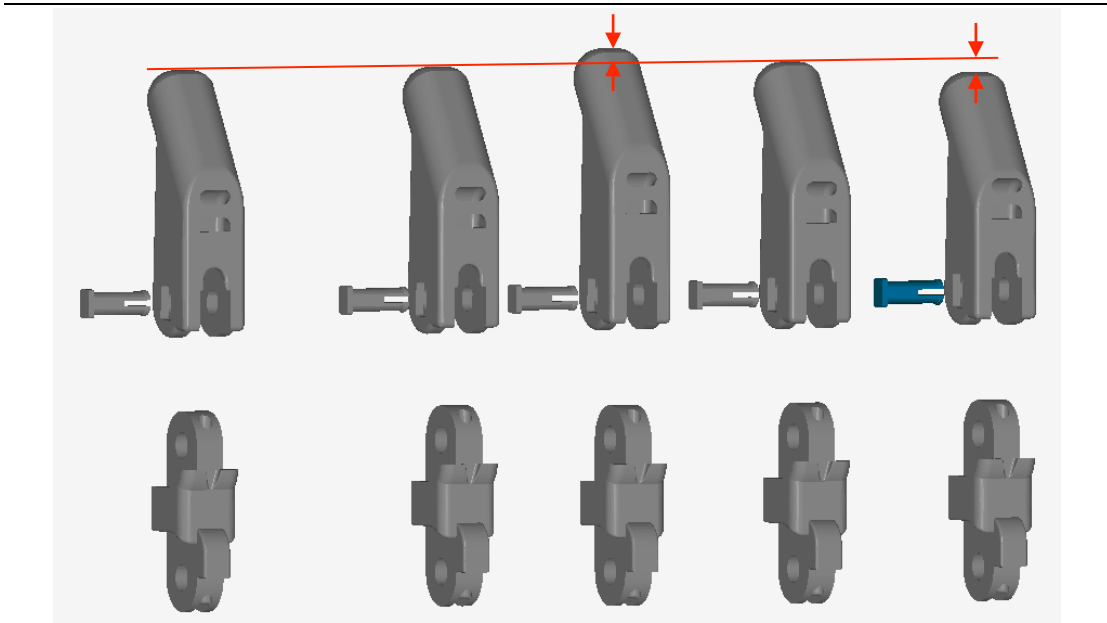
Revision 2, 2014

First revision written by Michel Agronin of Direct Dimensions based on the video tutorial by Jeremy Simon and using print files by Peter Binkley, Ivan Owen, Frankie Flood, and Andreas Bastian, with contributions by many others. Second revision by Jeremy Simon

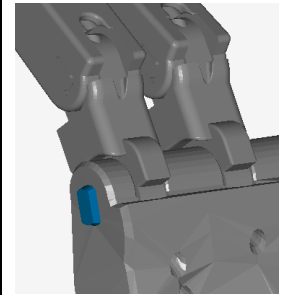
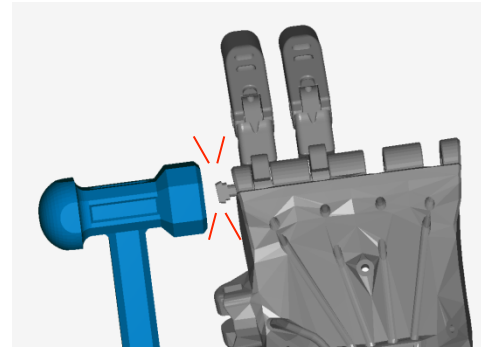
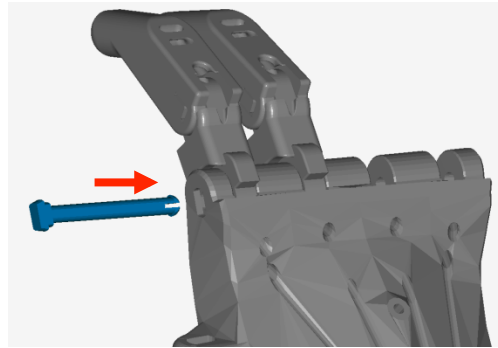
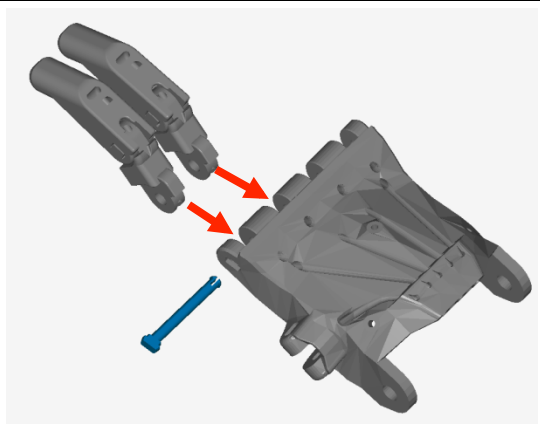
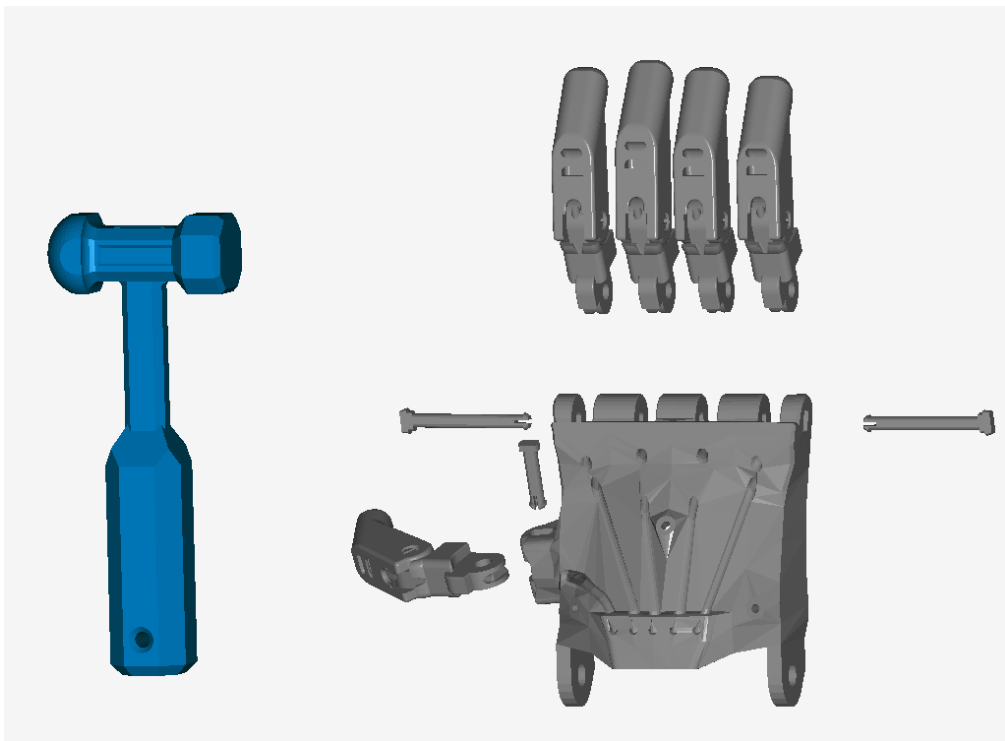


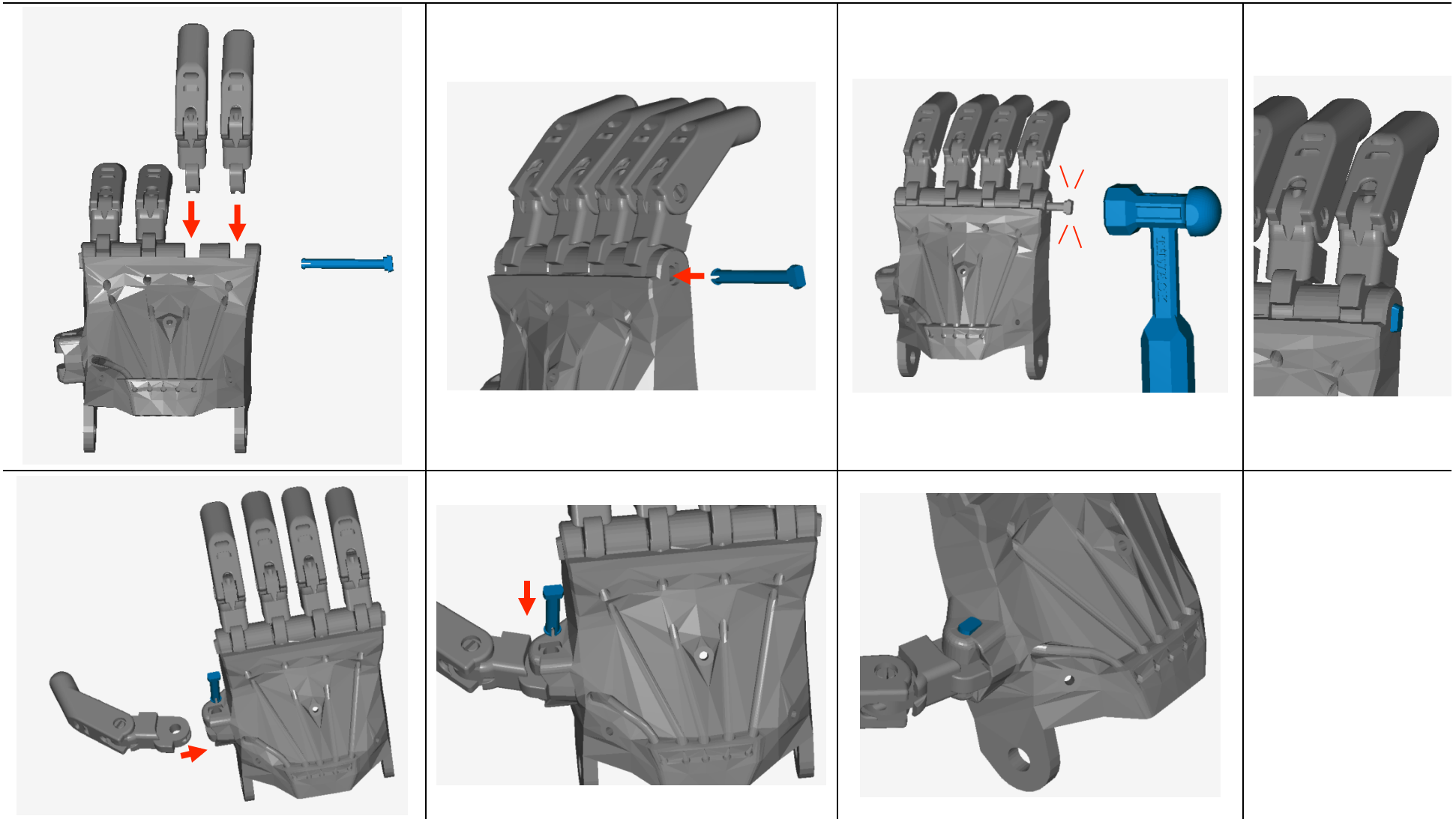
This work is licensed under the Creative Commons-Attribution-Share Alike License. To view a copy of the license, visit <http://creativecommons.org/licenses/by-sa/3.0/>
Raptor Assembly Instructions v. 1.1

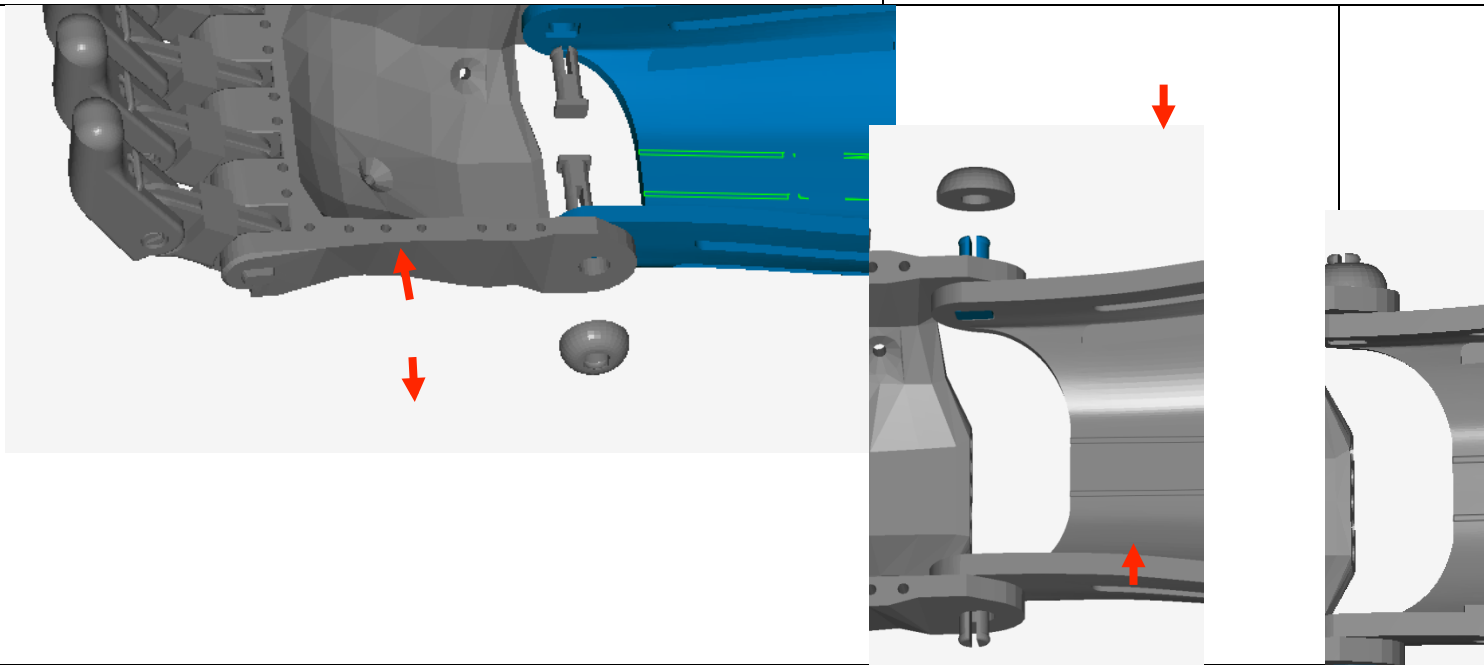
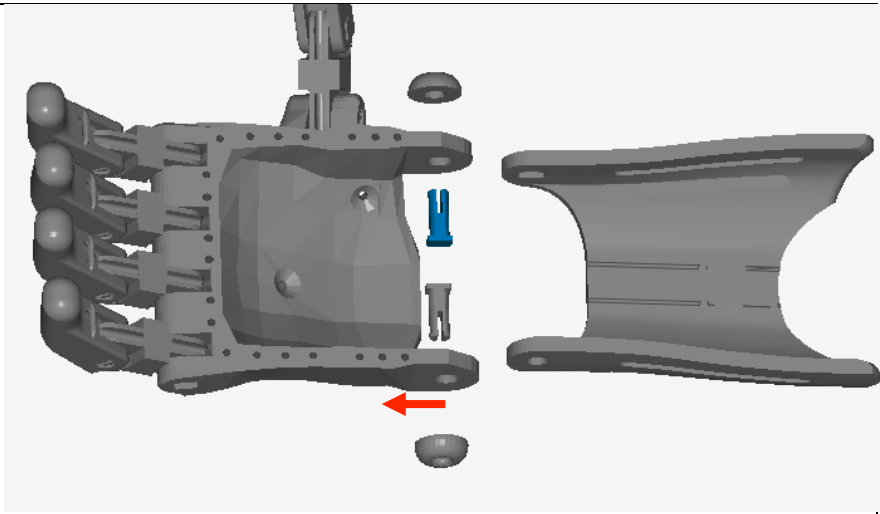


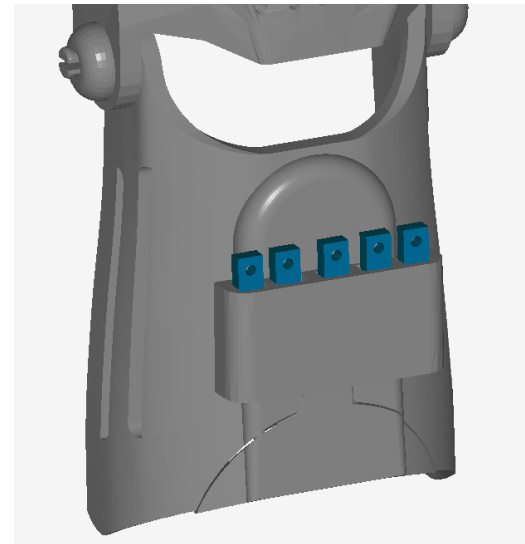
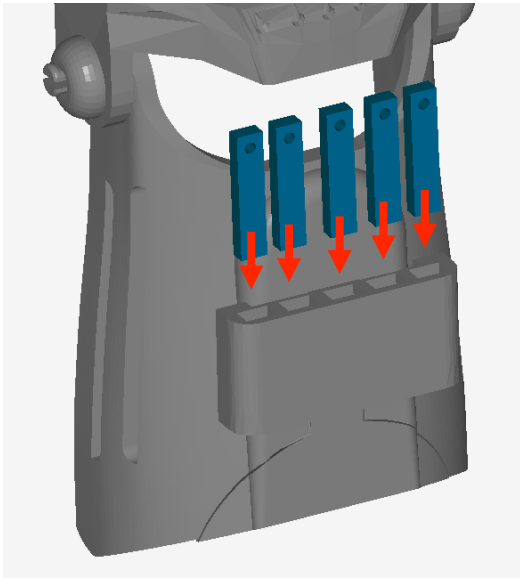
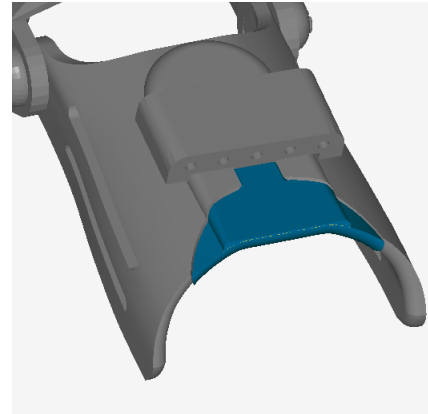
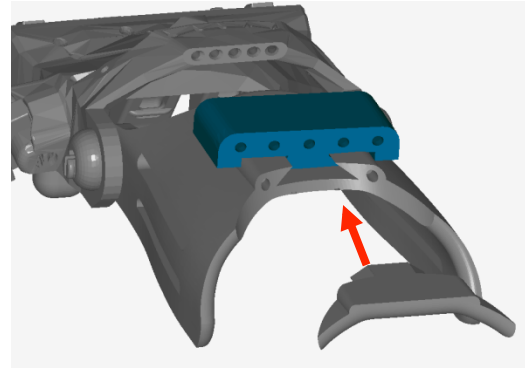
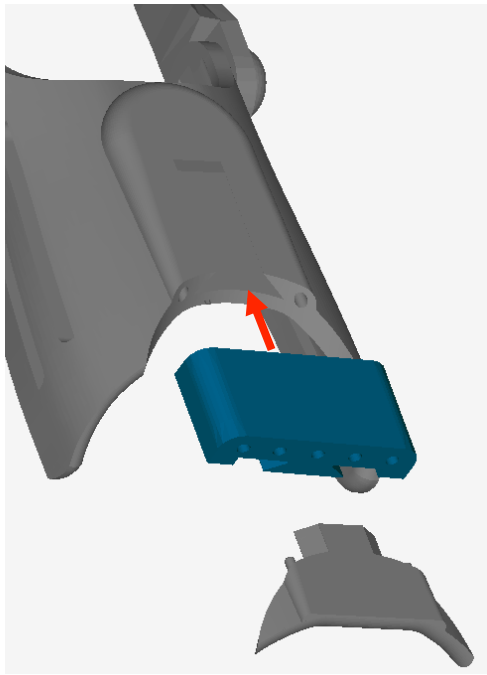


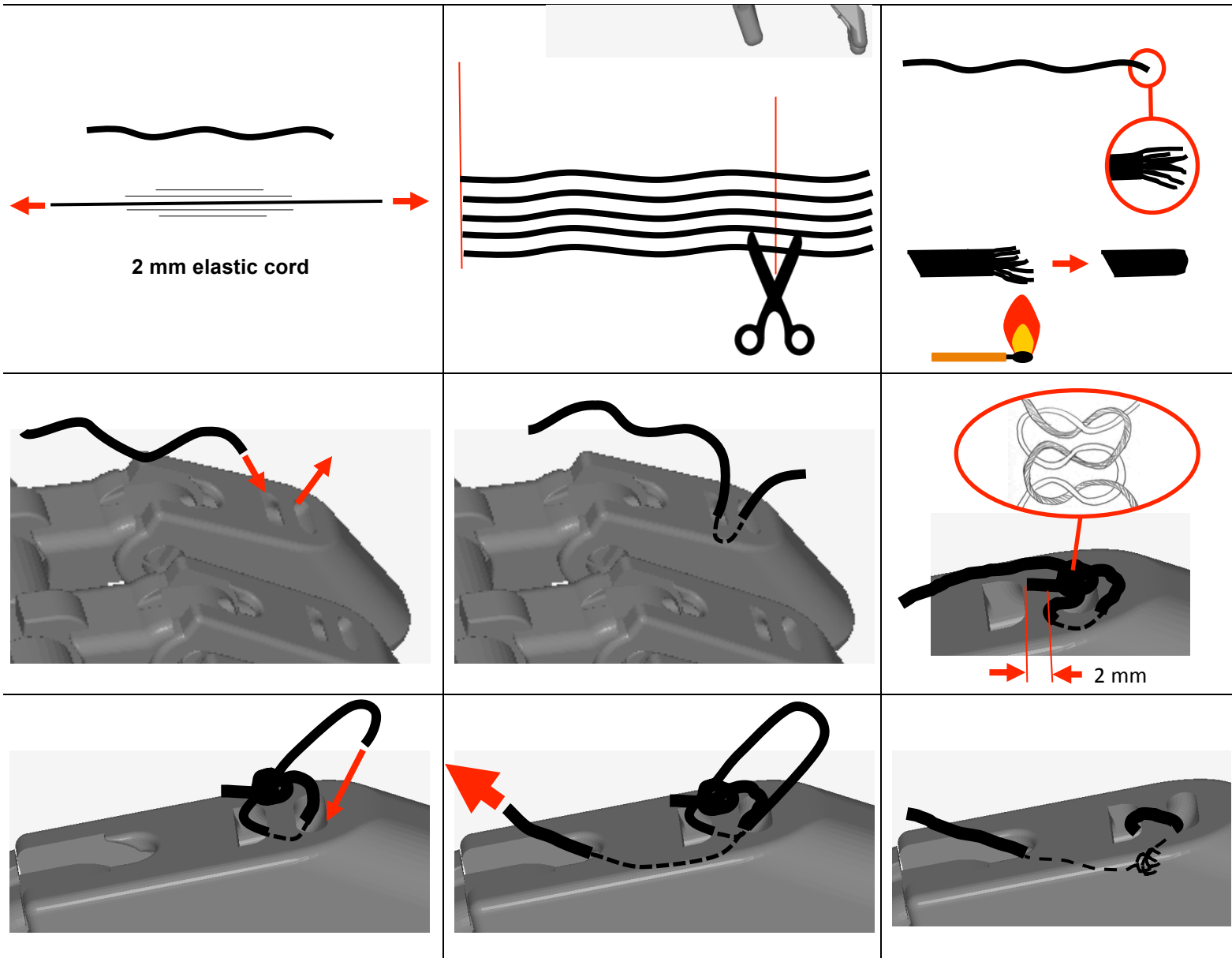
X 5



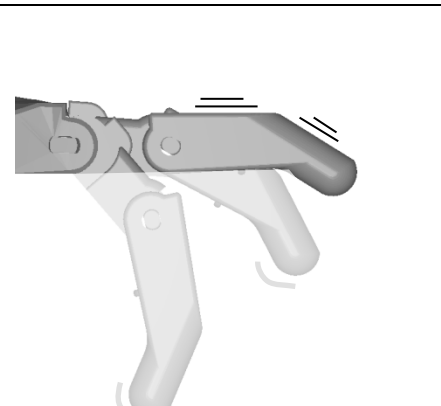
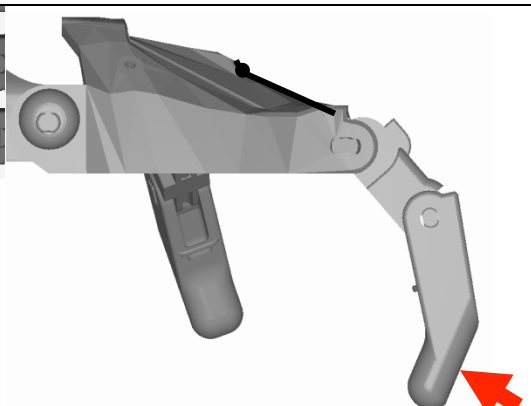
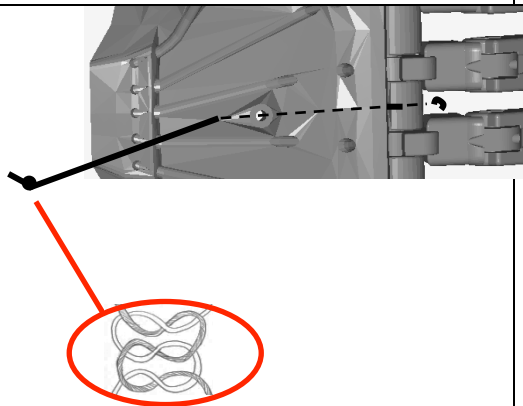
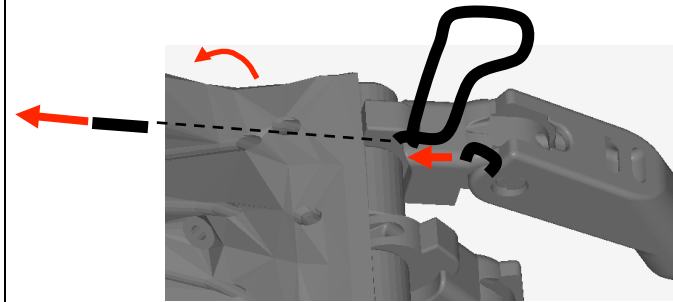
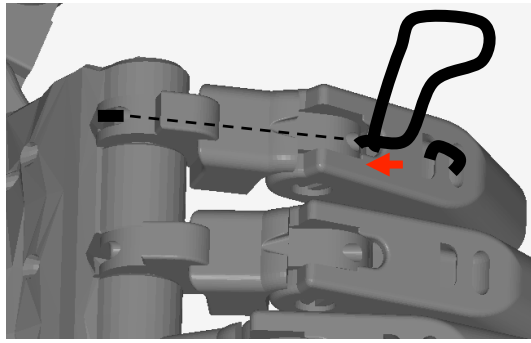
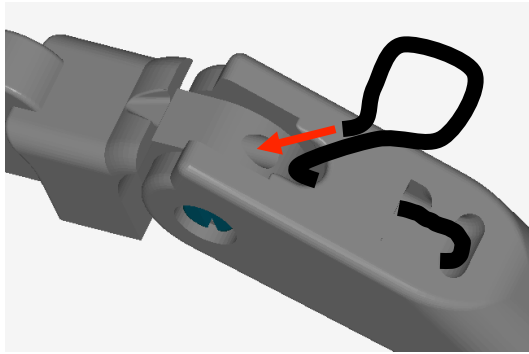




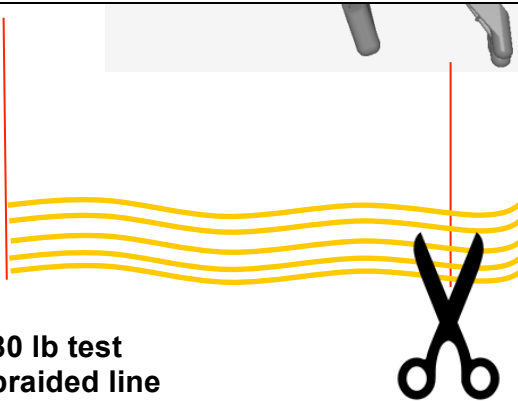




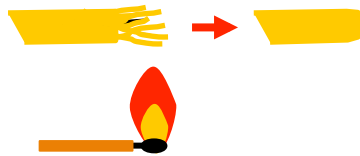
X 10



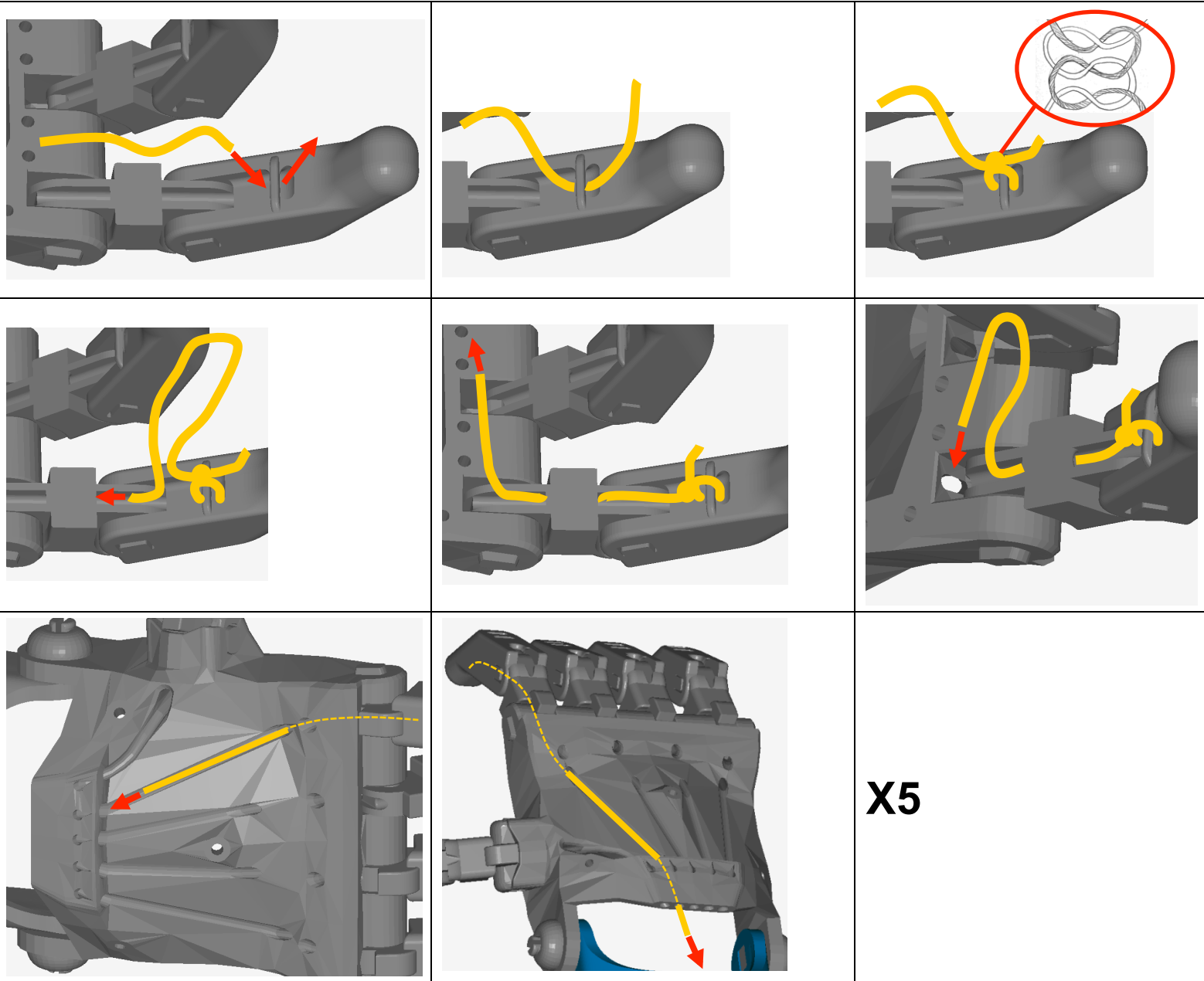
X5

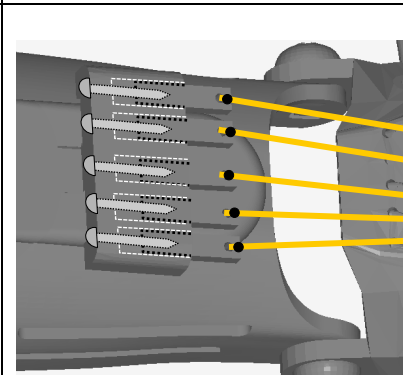
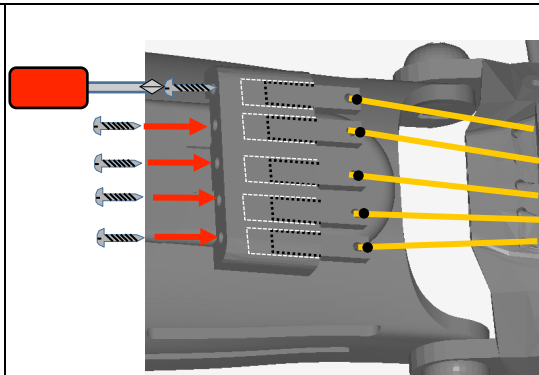
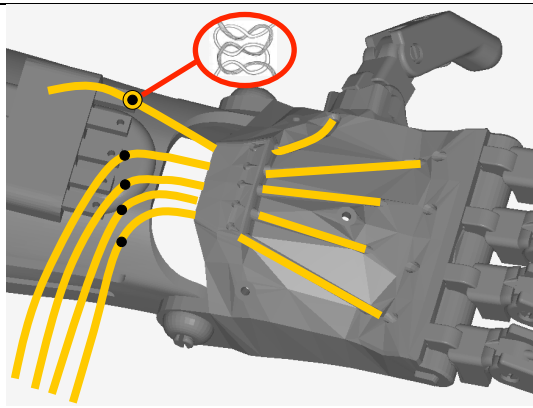
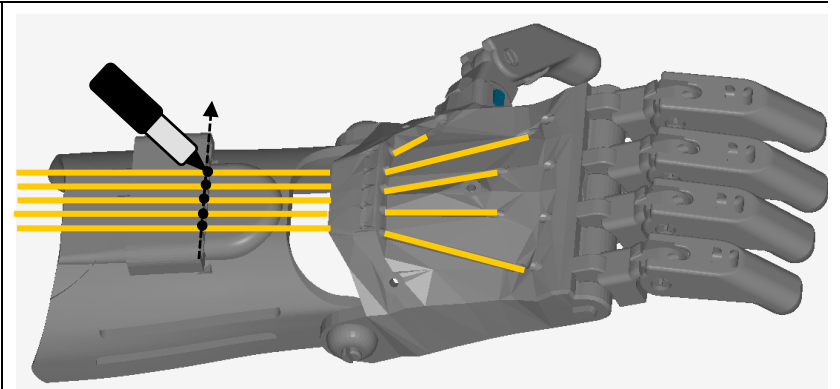
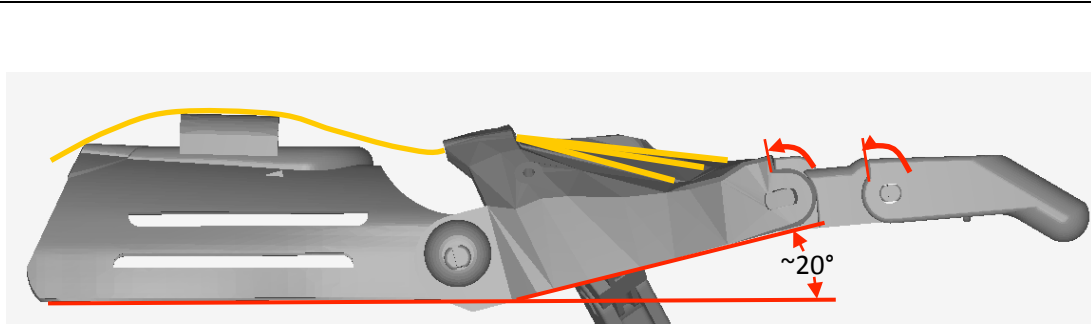



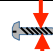

**80 lb test
braided line**

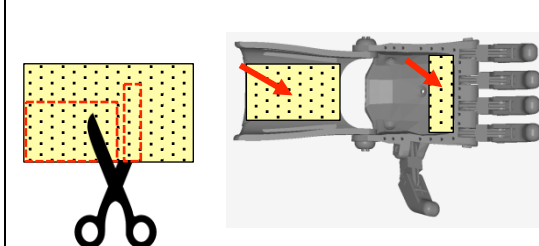
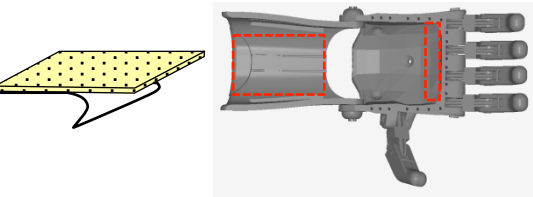


X 10

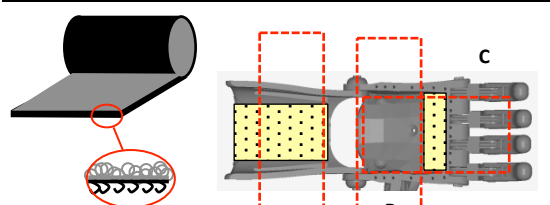
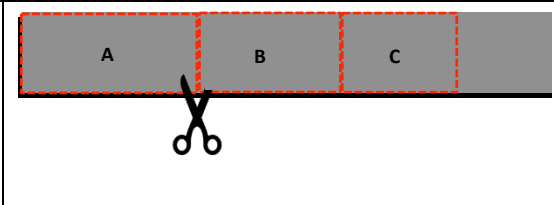
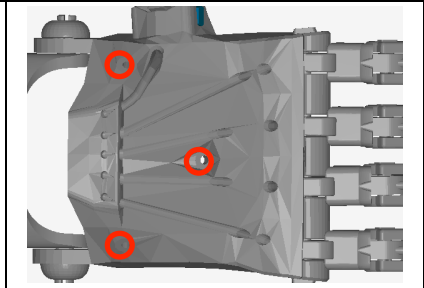
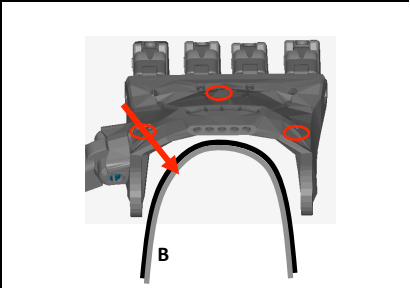
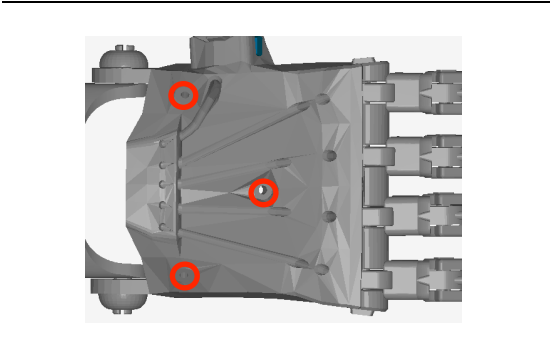
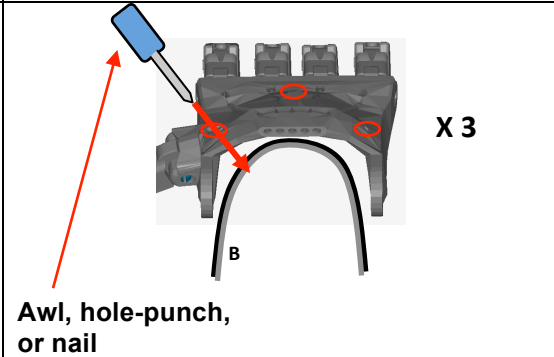
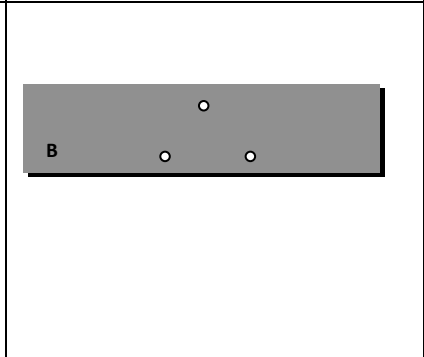
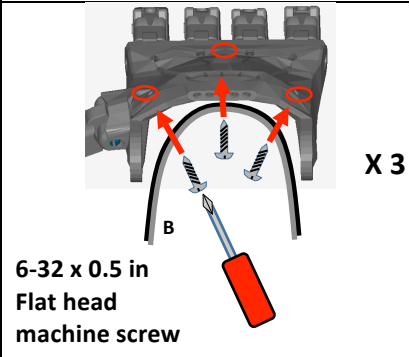




		
100%	#2	0.625 in.



5mm
adhesive-backed
Foam padding

 <p>2 in. wide double-sided Velcro</p>			
	 <p>X 3</p> <p>Awl, hole-punch, or nail</p>		 <p>X 3</p> <p>6-32 x 0.5 in Flat head machine screw</p>
