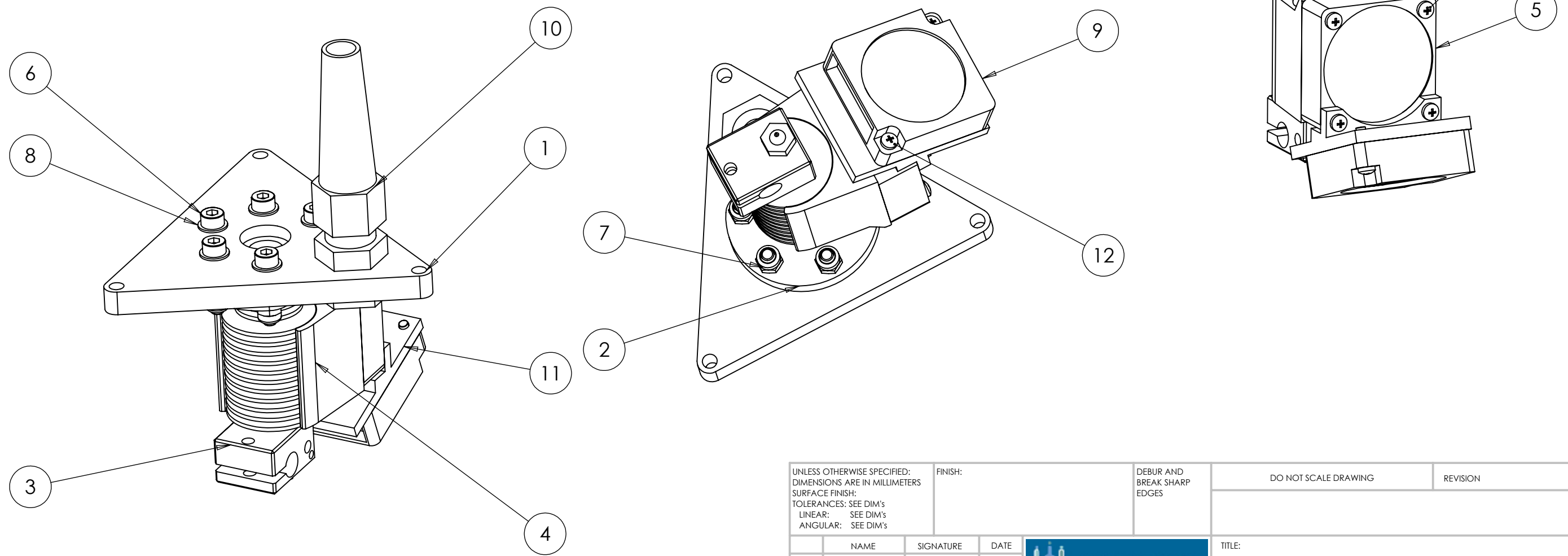



ITEM	PART NUMBER	DESCRIPTION	QTY.	supplier
1	1-00196	End Effector	1	Printed Parts
2	1-00104	Hot End Plate	1	Printed Part
3	1-00067	v6 Hot End	1	E3d Online
4	1-00195	v6 Cowling	1	E3d Online
5	1-00042	30mm 24 vdc Fan	1	E3d Online
6	1-00030	M3 x 16 Hex Cap Head A2	5	Nuts & Bolts
7	1-00034	M3 Nyloc A2	5	Nuts & Bolts
8	1-00023	M3 Washer A2	5	Nuts & Bolts
9	1-00199	12vdc Blower Fan	1	Mouser
10	1-00200	Cable Gland	1	CPC
11	1-00201	Blower Bracket	1	Printed Part
12	1-00205	Self Tapper No 4 x 9.5mm A2	2	Nuts & Bolts
13	1-00206	Self Tapper No 4 x 19mm A2	4	Nuts & Bolts



This work is licensed under a Creative Commons Attribution - NonCommercial ShareAlike 4.0 Unported license.

UNLESS OTHERWISE SPECIFIED: DIMENSIONS ARE IN MILLIMETERS SURFACE FINISH: TOLERANCES: SEE DIM'S LINEAR: SEE DIM'S ANGULAR: SEE DIM'S			FINISH:	DEBUR AND BREAK SHARP EDGES	DO NOT SCALE DRAWING	REVISION
DRAWN	NAME	SIGNATURE	DATE	 <a href="http://www.andornot.co.uk">www.andornot.co.uk</a>	TITLE:	
CHK'D						
APPV'D						
MFG						
Q.A						
				MATERIAL:	DWG NO.	1-00198
				WEIGHT:	SCALE:1:1	SHEET 1 OF 1
						A3