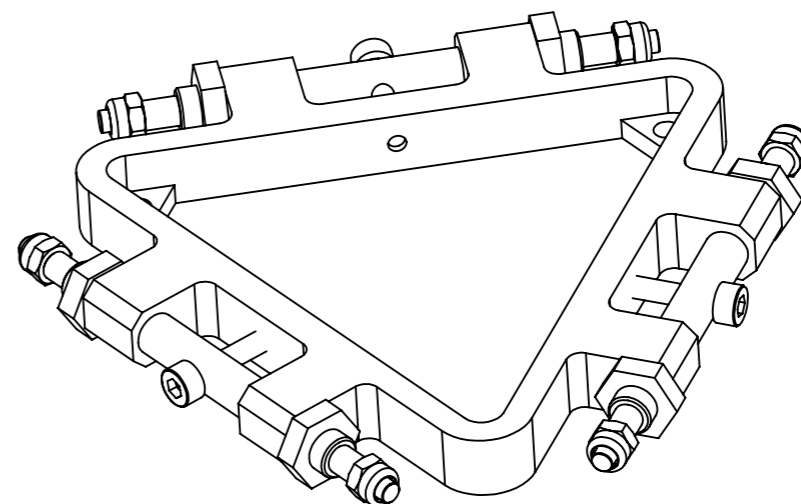
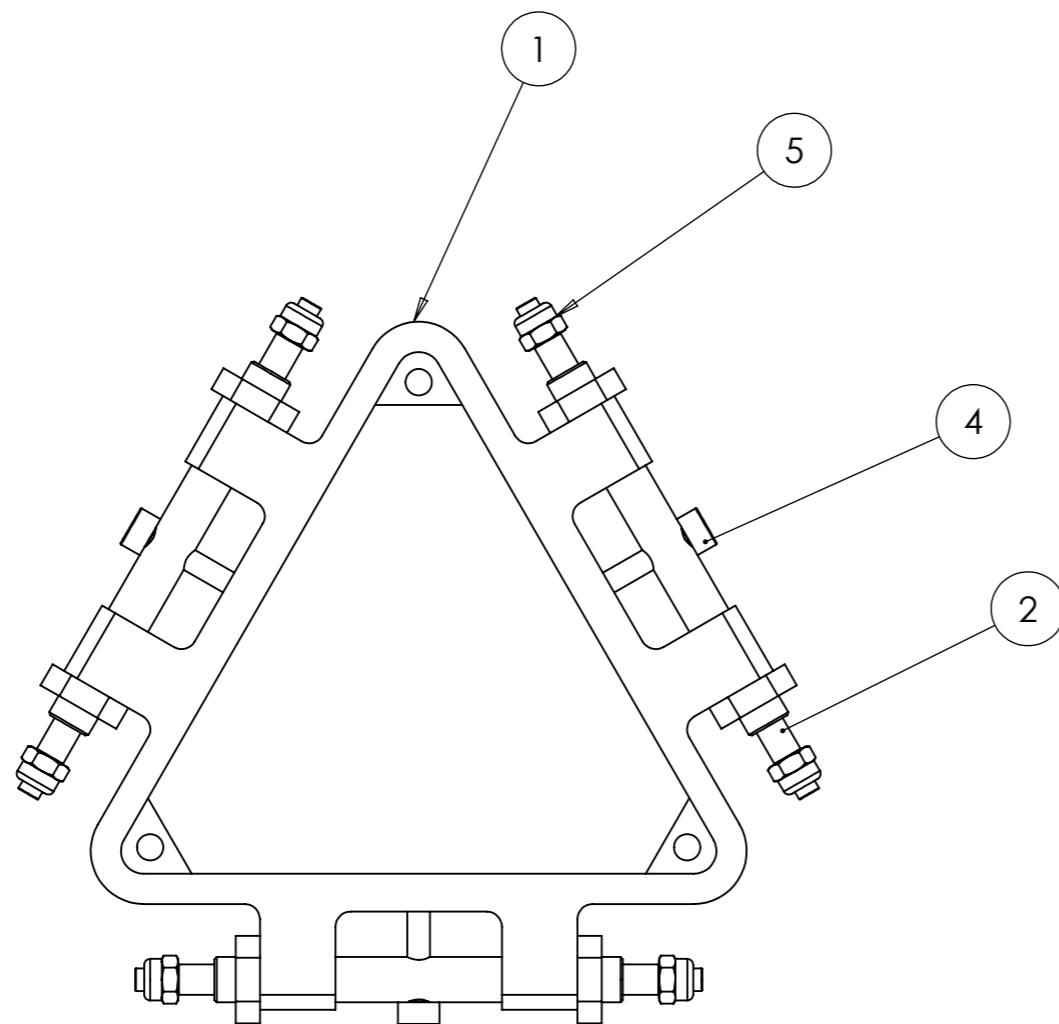



ITEM	PART NUMBER	DESCRIPTION	QTY.	supplier
1	1-00186	Machined End Effector	1	To Drawing
2	1-00140	Arm Shaft	3	To drawing
3	1-00170	M6 Thin Nut A2	6	Nuts & Bolts
4	1-00030	M3 x 16 Hex Cap Head A2	3	Nuts & Bolts
5	1-00034	M3 Nyloc A2	6	Nuts & Bolts



This work is licensed under a Creative Commons Attribution - NonCommercial ShareAlike 4.0 Unported license.

UNLESS OTHERWISE SPECIFIED: DIMENSIONS ARE IN MILLIMETERS SURFACE FINISH: TOLERANCES: SEE DIM'S LINEAR: SEE DIM'S ANGULAR: SEE DIM'S				FINISH:	DEBUR AND BREAK SHARP EDGES	DO NOT SCALE DRAWING	REVISION
NAME	SIGNATURE	DATE	 www.andornot.co.uk		TITLE:		
DRAWN					DWG NO. 1-00191		
CHK'D					A3		
APPV'D					SCALE:1:1		
MFG					SHEET 1 OF 1		
Q.A			MATERIAL:	WEIGHT:			