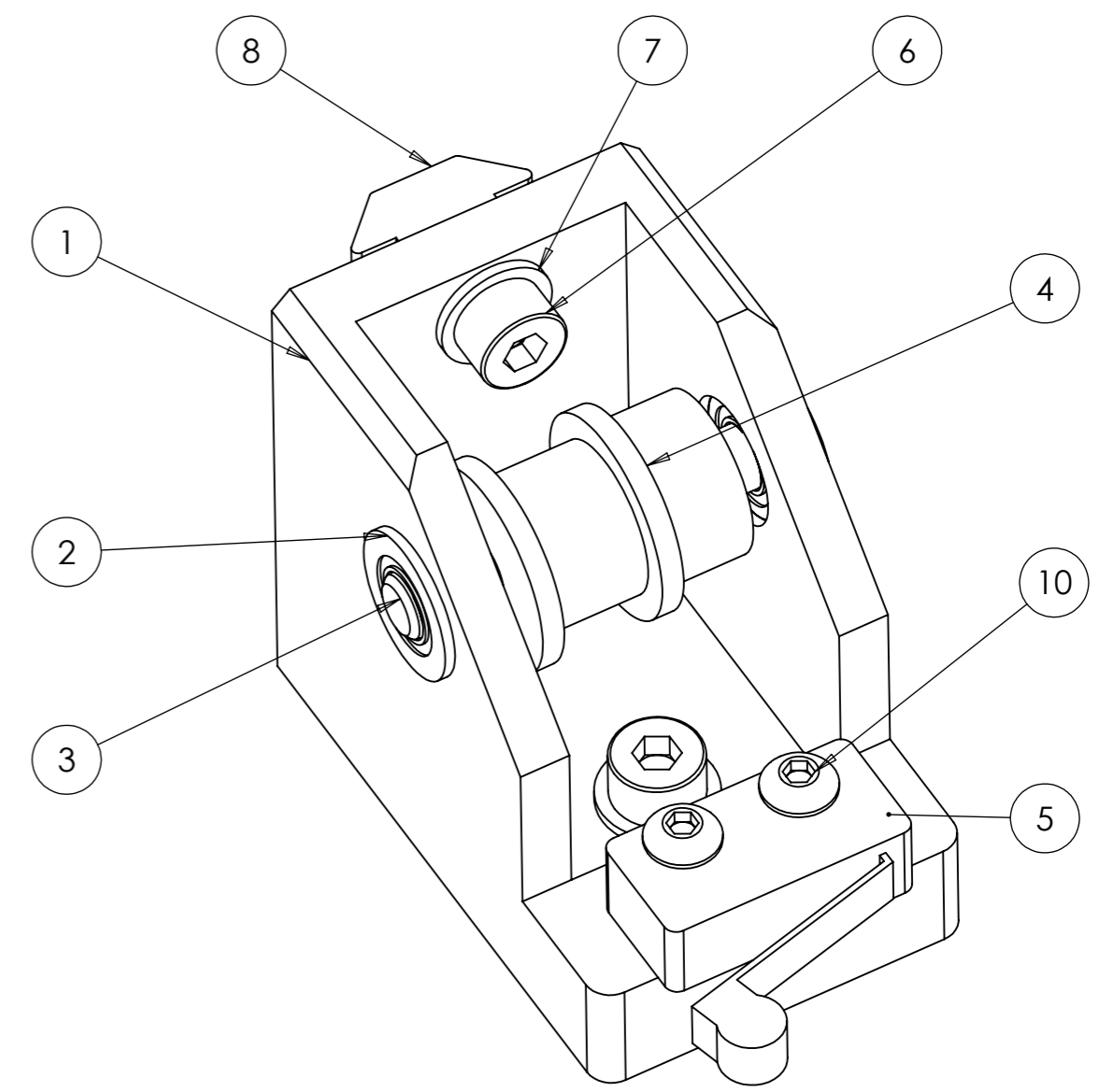
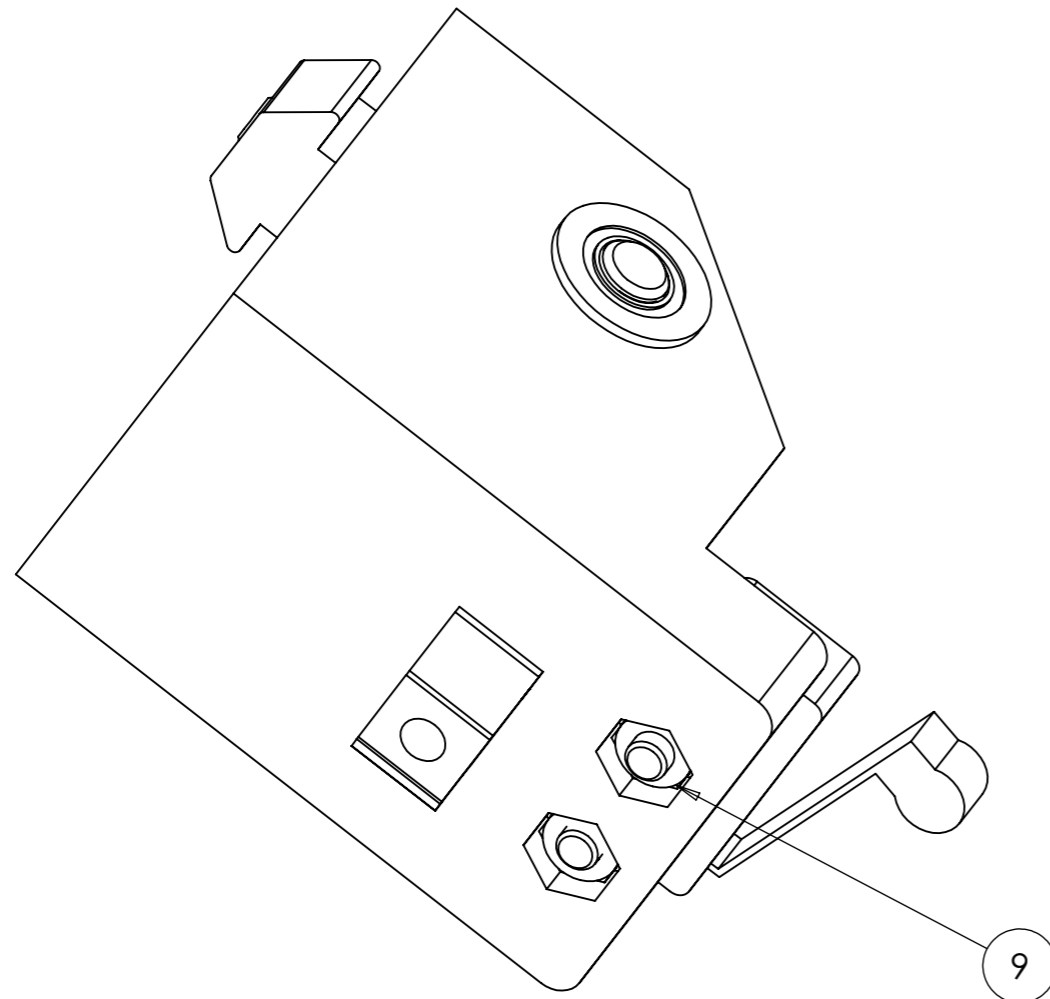



ITEM	PART NUMBER	DESCRIPTION	QTY.	supplier
1	1-00162	Top Pulley	1	Printed Part
2	1-00164	Top Pulley Bearing	2	Misumi SMFL105ZZ
3	1-00165	Top Pulley Shaft	1	To Drawing
4	1-00018	GT2 20 Tooth Sprocket	1	
5	1-00027	Roller Arm Microswitch	1	
6	1-00021	M4 x 12 Hex Cap Head A2	2	Nut & Bolt
7	1-00022	M4 Washer A2	2	Nut & Bolt
8	1-00016	M4 T Nut	2	Motedis
9	1-00025	M3 Nut A2	2	Nuts & Bolts
10	1-00169	M3 x 16mm Socket Button A2	2	Nuts & Bolts



This work is licensed under a Creative Commons Attribution - NonCommercial ShareAlike 4.0 Unported license.

UNLESS OTHERWISE SPECIFIED: DIMENSIONS ARE IN MILLIMETERS SURFACE FINISH: TOLERANCES: SEE DIM'S LINEAR: SEE DIM'S ANGULAR: SEE DIM'S			FINISH:	DEBUR AND BREAK SHARP EDGES	DO NOT SCALE DRAWING	REVISION
NAME	SIGNATURE	DATE	 www.andornot.co.uk		TITLE: Top Pulley Assy	
DRAWN					DWG NO. 1-00163	
CHK'D					A3	
APPV'D					SCALE: 1:1	
MFG					SHEET 1 OF 1	
Q.A			MATERIAL:	WEIGHT:		