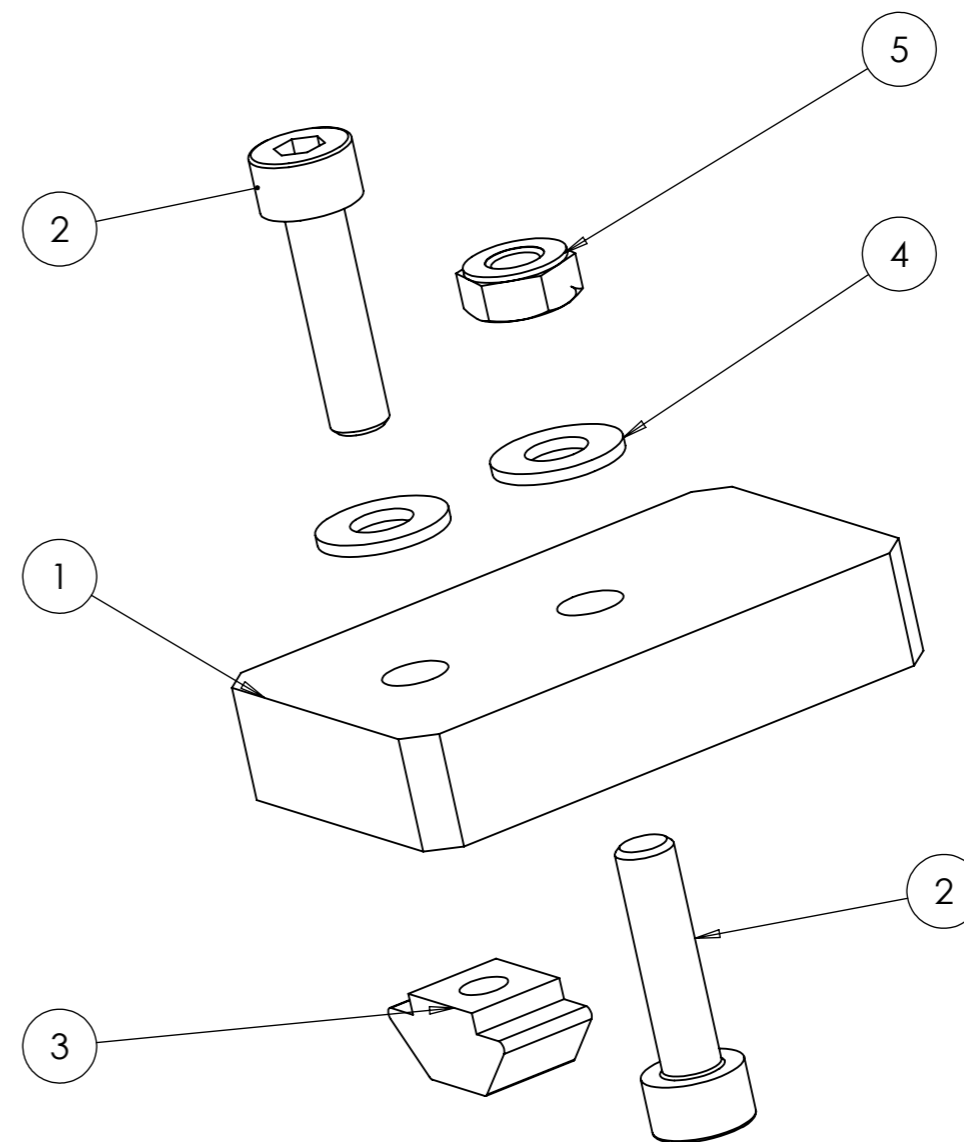
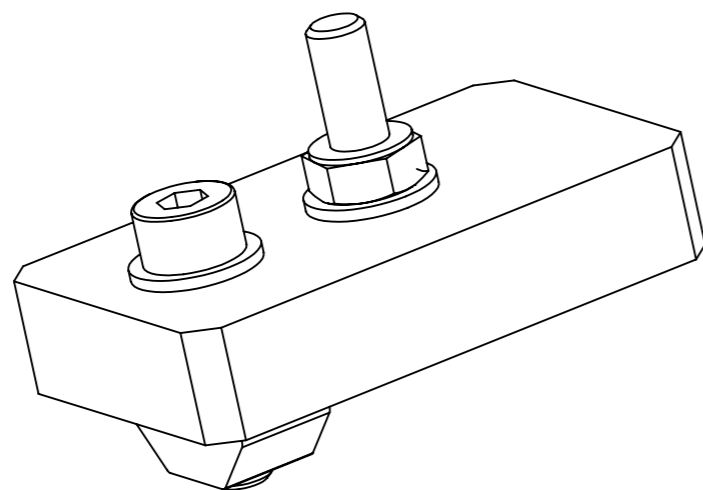



ITEM	PART NUMBER	DESCRIPTION	QTY.	supplier
1	1-00211	Arm Tool	1	Printed Part
2	1-00176	M4 x 16 Hex Cap Head A2	2	Nut & Bolt
3	1-00016	M4 T Nut	1	Motedis
4	1-00022	M4 Washer A2	2	Nut & Bolt
5	1-00123	M4 Nut A2	1	Nuts & Bolts



This work is licensed under a Creative Commons Attribution - NonCommercial ShareAlike 4.0 Unported license.

UNLESS OTHERWISE SPECIFIED: DIMENSIONS ARE IN MILLIMETERS SURFACE FINISH: TOLERANCES: SEE DIM'S LINEAR: SEE DIM'S ANGULAR: SEE DIM'S			FINISH:	DEBUR AND BREAK SHARP EDGES	DO NOT SCALE DRAWING	REVISION
DRAWN	NAME	SIGNATURE	DATE	 www.andornot.co.uk	TITLE: Arm Tool Assy	
CHK'D					DWG NO. 1-00213	
APPV'D					A3	
MFG					SCALE:1:1	
Q.A					SHEET 1 OF 1	
WEIGHT:						