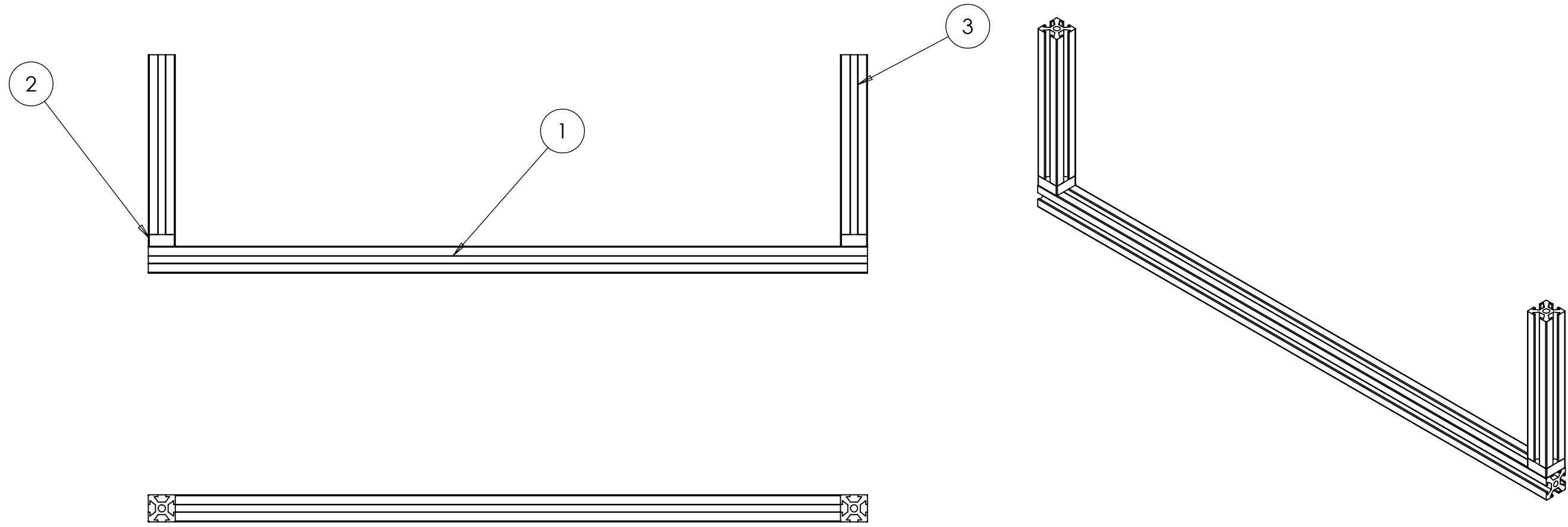



ITEM	PART NUMBER	DESCRIPTION	QTY.	supplier
1	1-00089	Extrusion upright	1	To Drawing
2	1-00086	Extrusion 90 deg joint	2	Motedis Cover Cap 30 B-Typ slot 8
3	1-00087	Horizontal Leg	2	To Drawing



This work is licensed under a Creative Commons Attribution - NonCommercial ShareAlike 4.0 Unported license.

UNLESS OTHERWISE SPECIFIED: DIMENSIONS ARE IN MILLIMETERS SURFACE FINISH: TOLERANCES: SEE DIM'S LINEAR: SEE DIM'S ANGULAR: SEE DIM'S				FINISH:	DEBUR AND BREAK SHARP EDGES	DO NOT SCALE DRAWING	REVISION
DRAWN	NAME	SIGNATURE	DATE	 www.andornot.co.uk		TITLE: Frame Leg Assy	
CHK'D						DWG NO. 1-00100	A3
APPV'D						SCALE:1:5	SHEET 1 OF 1
MFG						WEIGHT:	
Q.A							