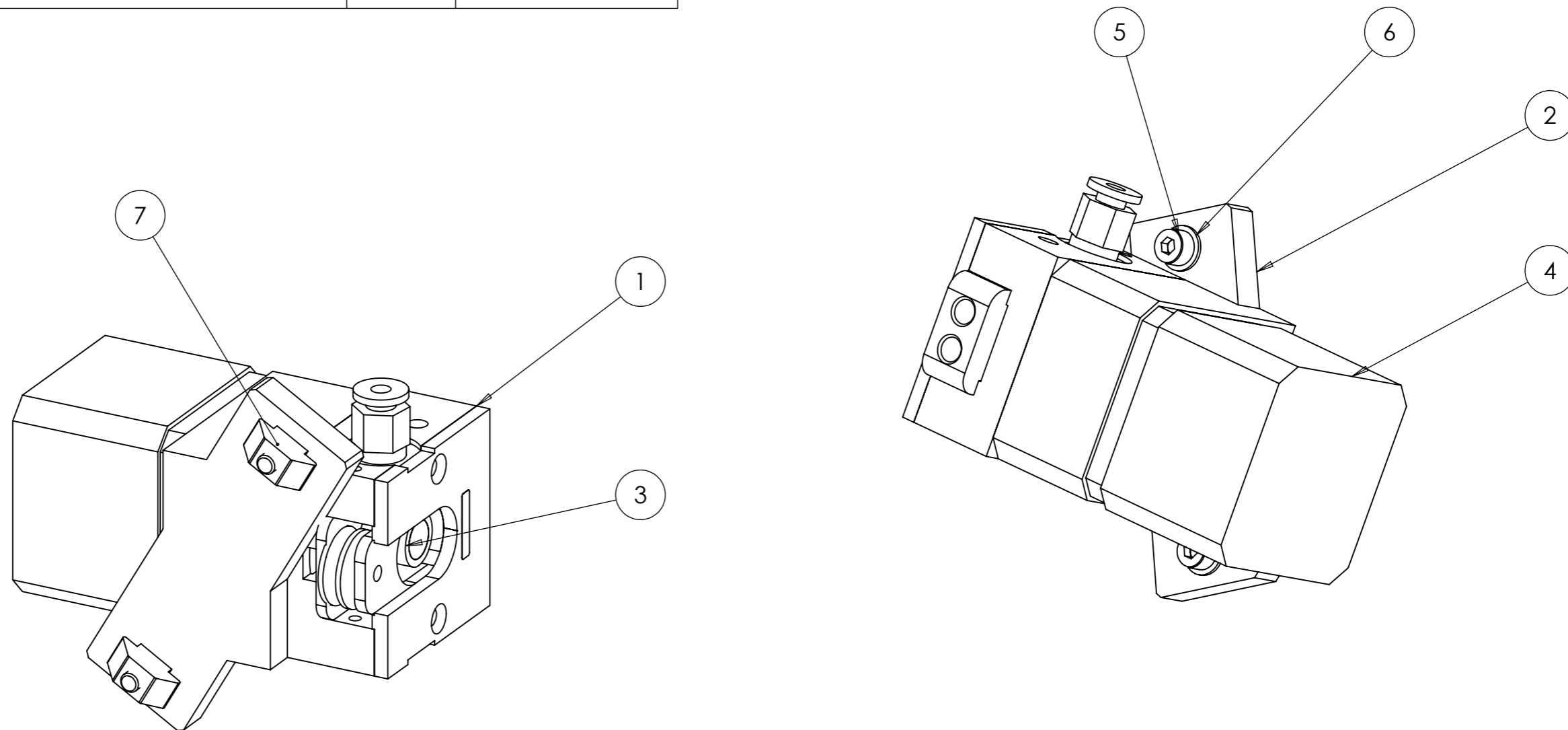



ITEM	PART NUMBER	DESCRIPTION	QTY.	supplier
1	1-00171	Bulldog Extruder	1	RobotDigg
2	1-00172	Extruder Bracket	1	Printed Part
3	1-00174	Extruder Filament Gear	1	RobotDigg
4	1-00173	Geared Stepper Motor	1	RobotDigg
5	1-00176	M4 x 16 Hex Cap Head A2	2	Nut & Bolt
6	1-00022	M4 Washer A2	2	Nut & Bolt
7	1-00016	M4 T Nut	2	Motedis



This work is licensed under a Creative Commons Attribution - NonCommercial ShareAlike 4.0 Unported license.

UNLESS OTHERWISE SPECIFIED: DIMENSIONS ARE IN MILLIMETERS SURFACE FINISH: TOLERANCES: SEE DIM'S LINEAR: SEE DIM'S ANGULAR: SEE DIM'S				FINISH:	DEBUR AND BREAK SHARP EDGES	DO NOT SCALE DRAWING	REVISION
NAME	SIGNATURE	DATE	 www.andornot.co.uk		TITLE: Extruder Assy		
DRAWN					DWG NO. 1-00175		
CHK'D					A3		
APPV'D					SCALE:1:1		
MFG					SHEET 1 OF 1		
Q.A			MATERIAL:	WEIGHT:			