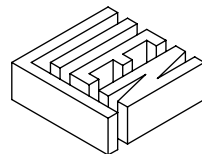
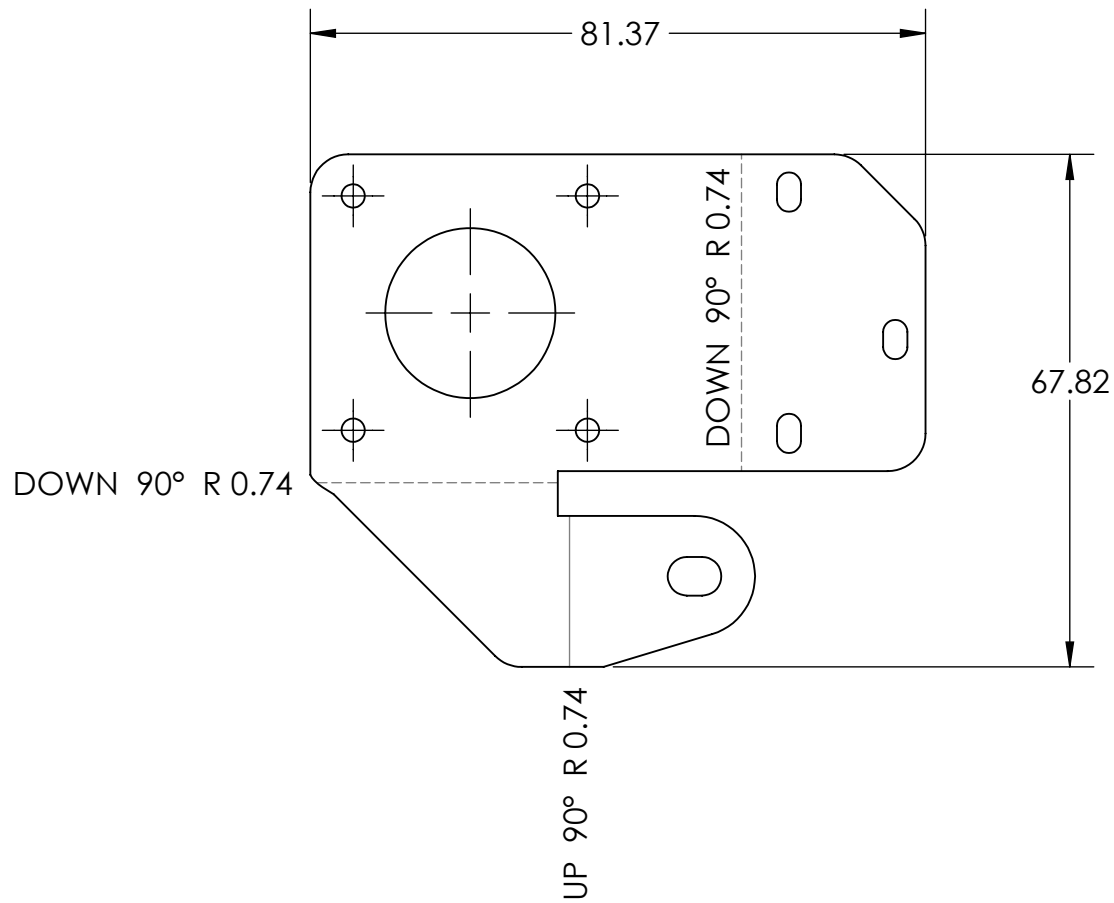
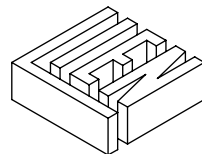
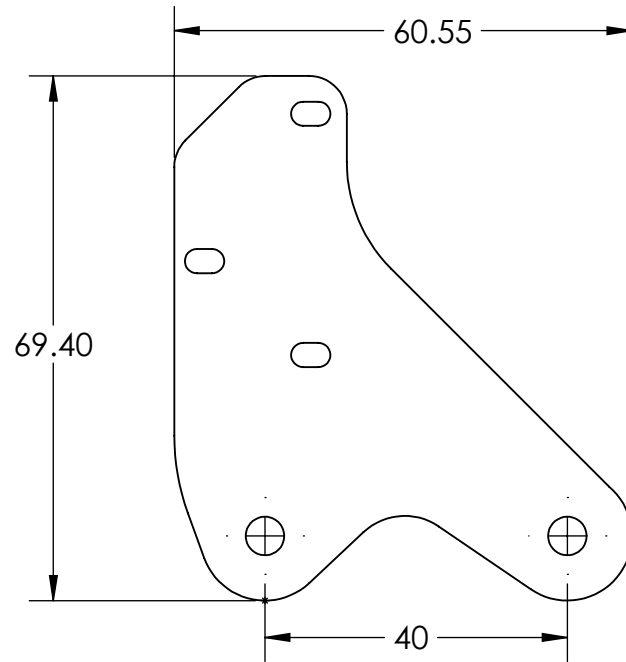
	DRAWING NAME: Ender3_BMG_Mount		DRAWING #: L3D_E3BMG	
	SCALE: 1:1	SHEET SIZE: 11" x 8.5"	DATE: 04-05-19	
	DRAWN: ECL	DIM UNITS: mm	REVISION: R00	
	MATERIAL: 2mm 6061/5052 AL		FINISH: Powder Coated	



DRAWING NAME:		Ender3_BMG_Mount		DRAWING #:		L3D_E3BMG	
SCALE:	1:1	SHEET SIZE:	11" x 8.5"	DATE:	04-05-19		
DRAWN:	ECL	DIM UNITS:	mm	REVISION:	R00		
MATERIAL:	2mm 6061/5052 AL			FINISH:	Powder Coated		



DRAWING NAME:	Ender3_BMG_Mount		DRAWING #:	L3D_E3BMG	
SCALE:	1:1	SHEET SIZE:	11" x 8.5"	DATE:	04-05-19
DRAWN:	ECL	DIM UNITS:	mm	REVISION:	R00
MATERIAL:	2mm 6061/5052 AL		FINISH:	Powder Coated	