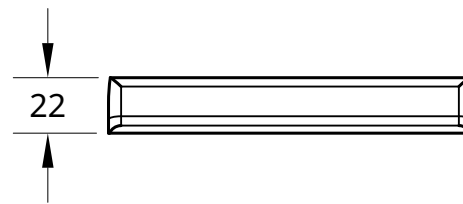
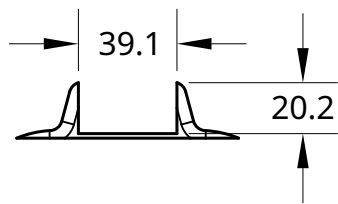
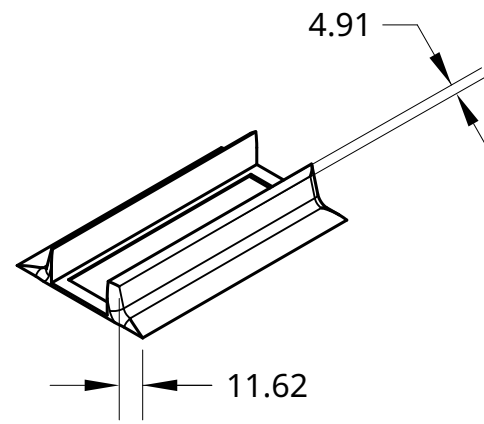
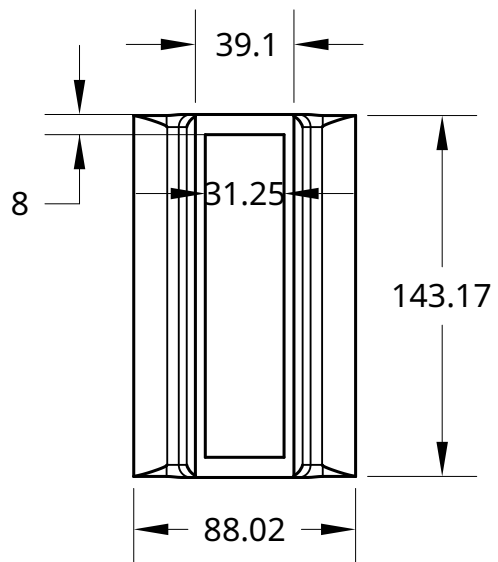


2

1



2

1

UNLESS OTHERWISE SPECIFIED, DIMENSIONS ARE IN MILLIMETERS ANGULAR $\angle = \pm ^\circ$	DRAWN	NAME	DATE	Base Drawing 1		
	CHECKED	davidk	12/04/2016			
	SURFACE FINISH	APPROVED			TITLE	
	DO NOT SCALE DRAWING				----	
BREAK ALL SHARP EDGES AND REMOVE BURRS				SIZE	DWG NO.	REV.
THIRD ANGLE PROJECTION	MATERIAL	FINISH		A	----	-
				SCALE	WEIGHT	SHEET
				1:3		1 of 1

B

B

A

A