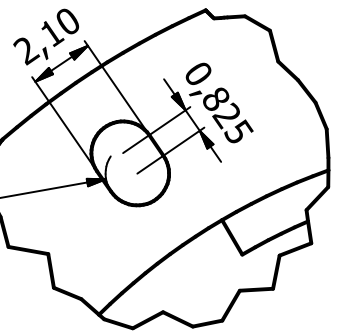


2

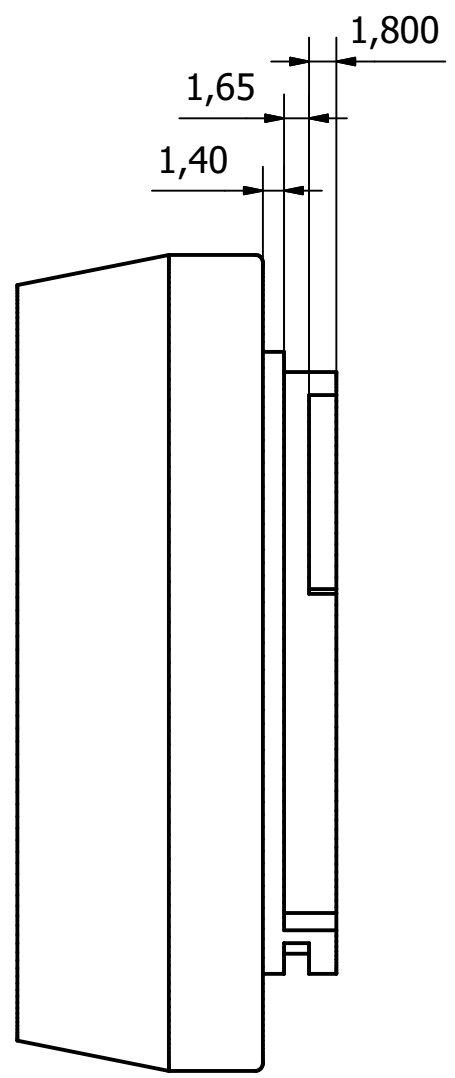
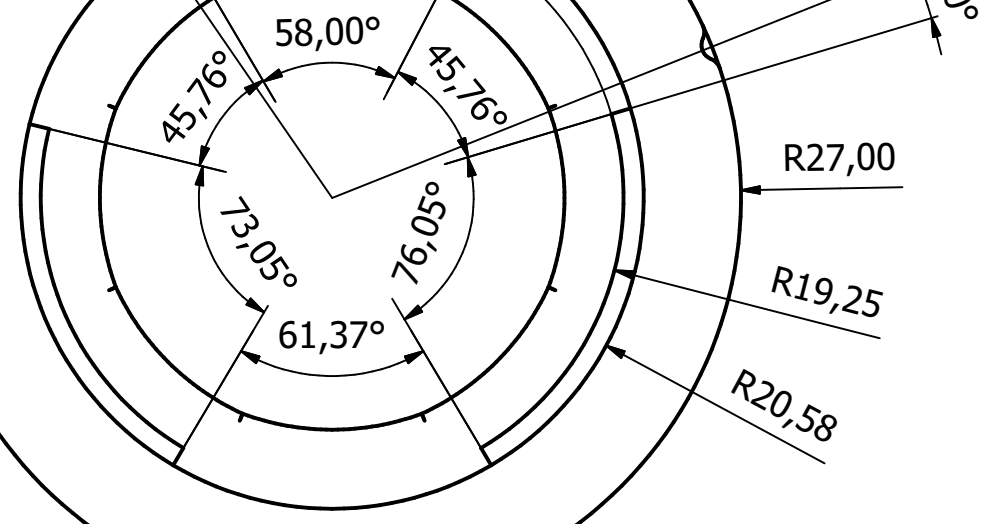
1

A (4 : 1)

Ø2,10 -3,00 DEEP



A



Designed by timv	Checked by	Approved by	Date	Date 9/10/2016
			Edition	
M43 Male			Sheet 1 / 1	

2

1