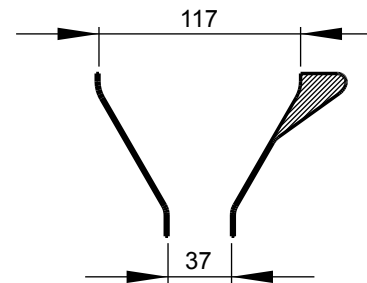
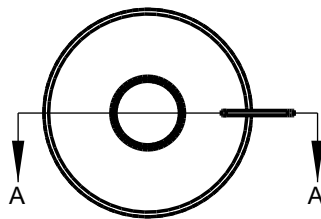
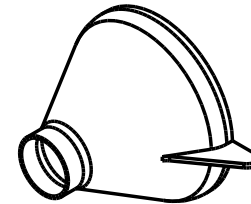
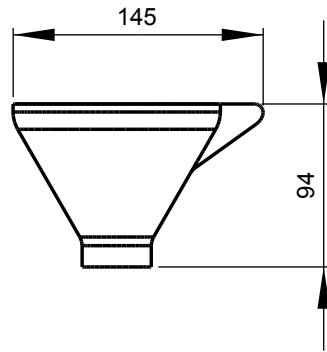


		Revisions			
Zone	Rev	Description	Date	Approved	



SECTION A-A

Unless Otherwise Specified:		Name	Date	c_schroeder			
Dimensions in Inches		Drawn				Funnel	
Tolerances: Fractional ±		Checked					
Angular: Mach ± Bend ±		ENG Appr.					
Two Place Decimal ±		MFR Appr.					
Three Place Decimal ±		QA					
Material PLA		Comments		Size	Drawing No.		
Finish --		CAD Generated Drawing Do Not Manually Update		A4	0001		
Do Not Scale Drawing				Scale NTS	CAD File		
				Sheet	1 of 1		
					A		