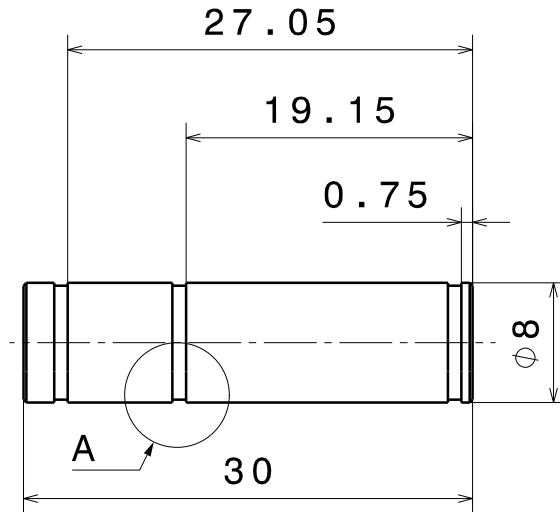
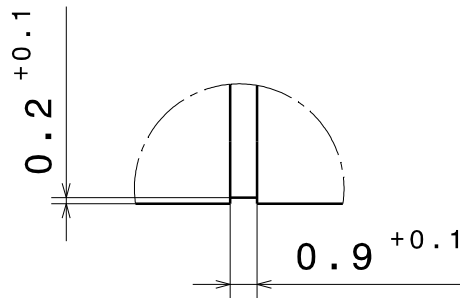


Copying of this document, and giving it others and the use or communication of the contents thereof, are forbidden without express authority. Offenders are liable to the payment of damages. All rights are reserved in the event of the grant of a patent or the registration of a utility model or design.

Schutzmerk nach DIN ISO 16016 beachten!
Refer to protection notice DIN ISO 16016!



Detail A
Maßstab: 4:1



Alle nicht bemaßten Fasen: 0.5x45°
Maßtoleranz für Bohrungsabstände: ±0.1

Rz 16 (Rz 10)

-0.3
-0.5
+0.05
ISO 13715

		V5R19		Werkstoff / Material:		Volumen / Volume (mm ³): 1,49 cm ³	
SAP-Status/State	Änd.-Nr. / Change-No.	CATIA-System-Version / CATIA-System-Version	CAD-Umgebung / CAD-Environment	IGUS Präzisionswelle Alu		Gewicht / Mass (g): 0,004 kg	
		3D-Referenzmodell / 3D-Referencemodel		Artikel / Title:			
Tolerierung / Tolerances: Size ISO 14405 E		Datum Name		Planetenwelle			
Allgemeintoleranzen / Gen. Tolerances: DIN ISO 2768-mK		Bearb. / Drawn	01.01.2019 Potschaske	Zchg.-Nr. / Drawing No:		Ers.f.Zchg. / Replaces:	
		Gepr. / Checked	01.01.2019 Potschaske	Dokumenttyp / Type of Document		Format / Size: A4	
		Freig. / Released		Teildokument (Blatt/Page)		Massstab/Scale: 2:1	
				Index / Index			