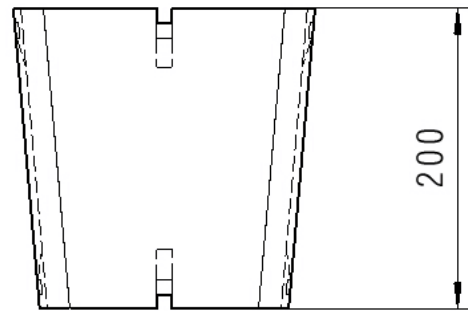


# Ultimaker Wonder Wall

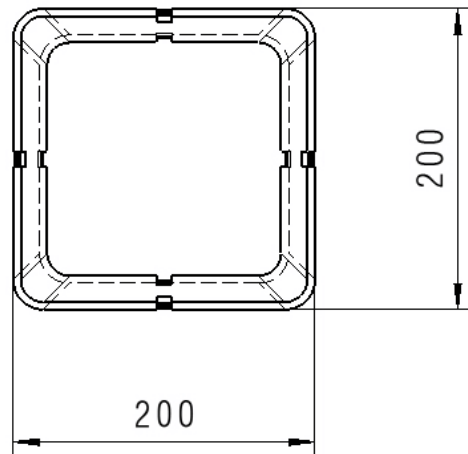
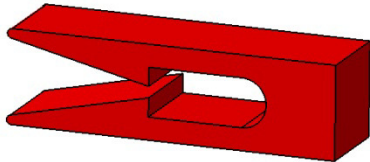
Design by formforfunction

The main idea of the form of this cube is a easy way to stacking it and also to print it with a 3D-Printer, also it should hold together without any screws.

With this form of cube it is possible to make curves in horizontal and vertical direction and they hold together only with clips, also printed.

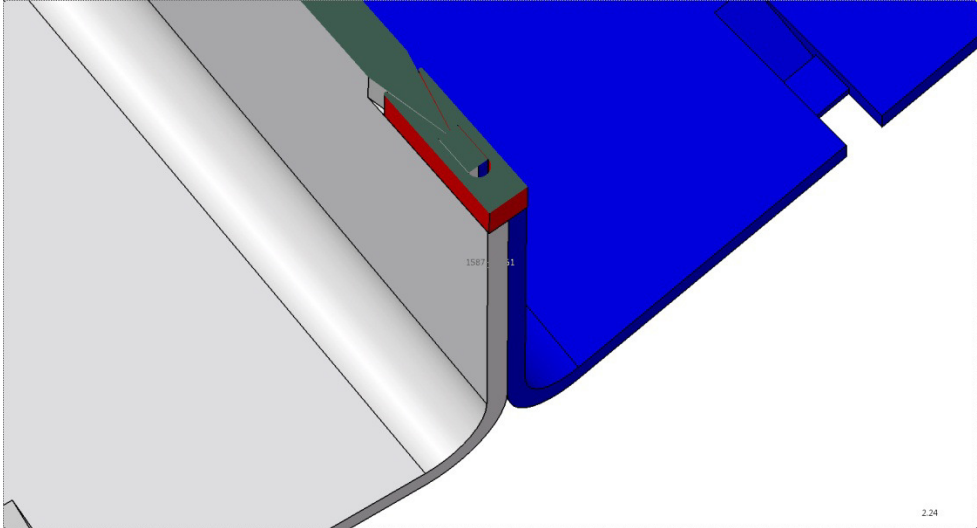
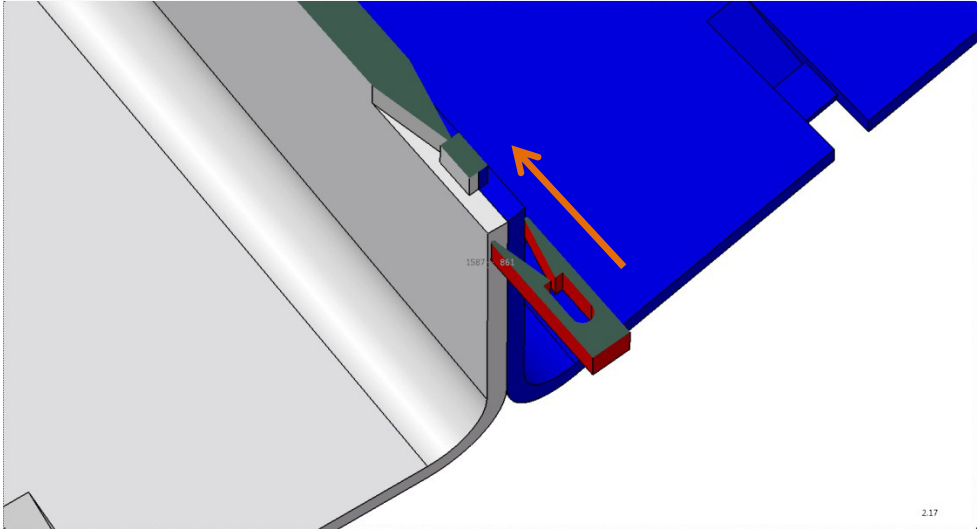


Clip:

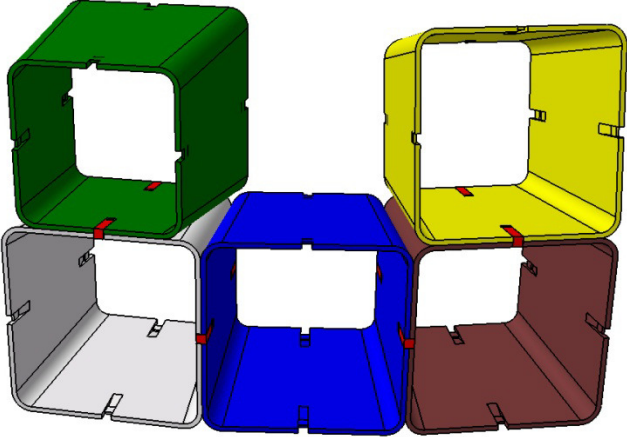


How does it work ?

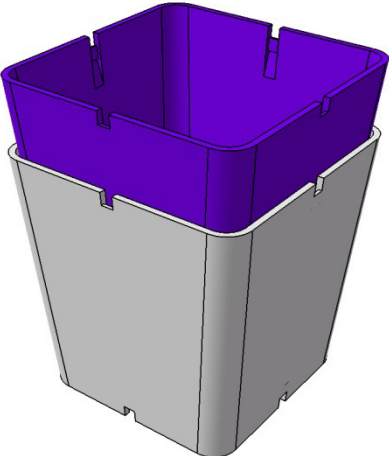
Place some cubes together and connect them with the clips :



This could look like this:

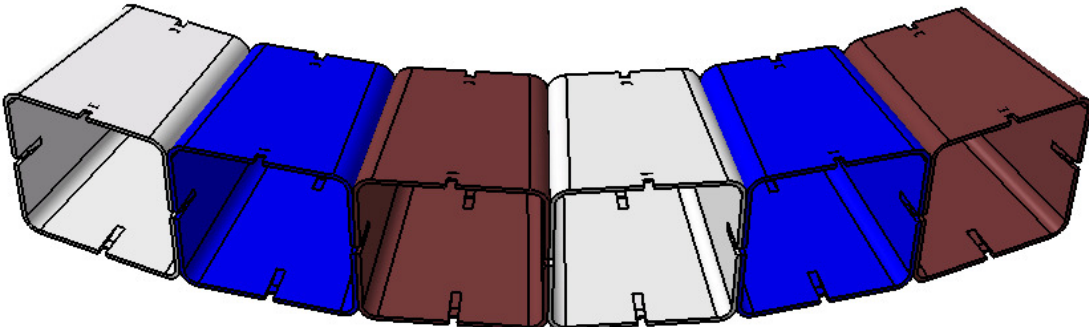


For easy transportation the cubes are stackable :

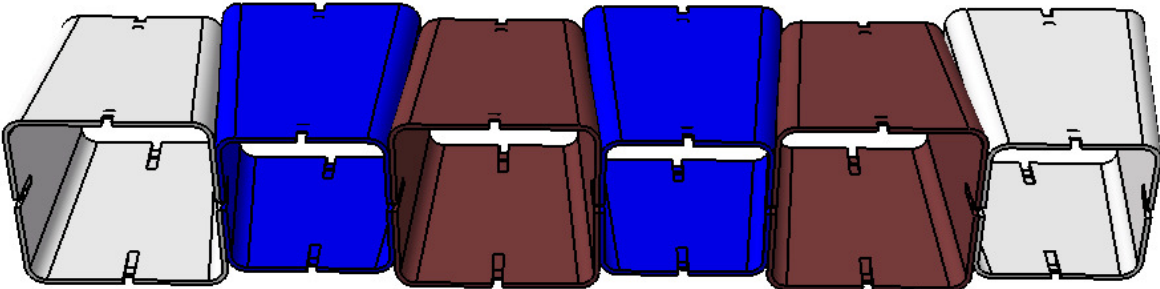


Possible walls :

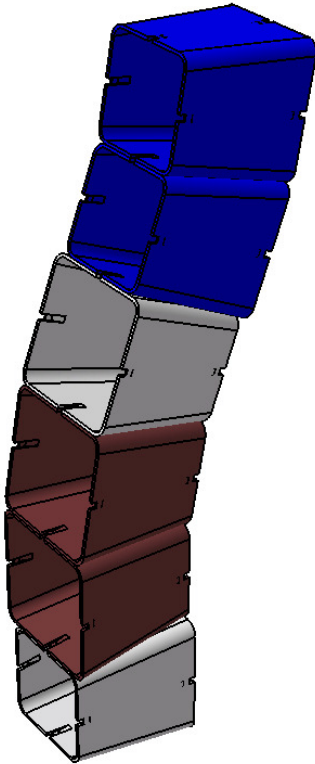
Make some curves (horizontal)



Straight (horizontal)



Curves (vertical)



straight (vertical) with special-clip

