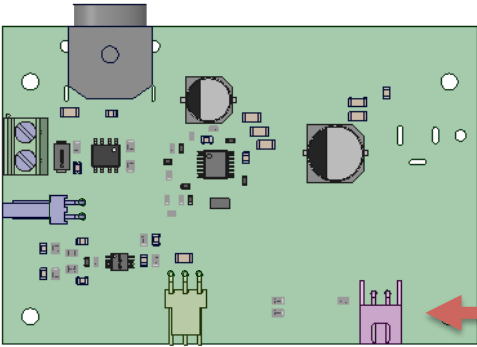


Heaterboard

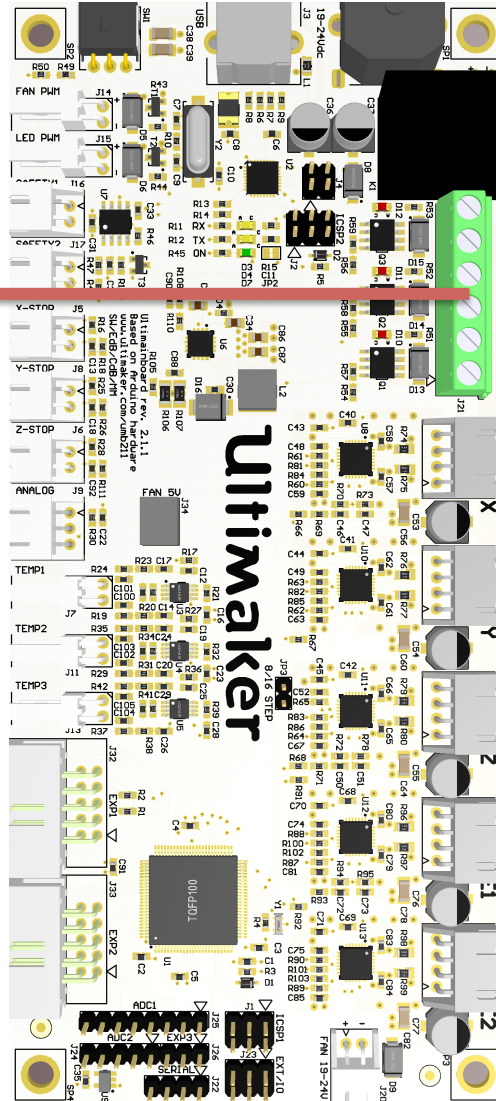


Temp = bed right

A
From Heater2

- Temp1 = printhead
- Temp2 = bed right
- Temp3 = bed left

Main Board V2.1.1



- Heater1 = printhead
- Heater2 = to heaterboard **A**
- Heater3 = bed left