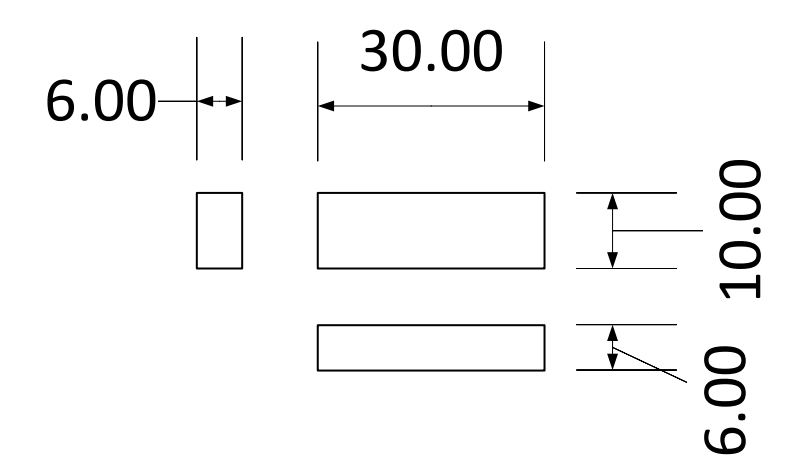
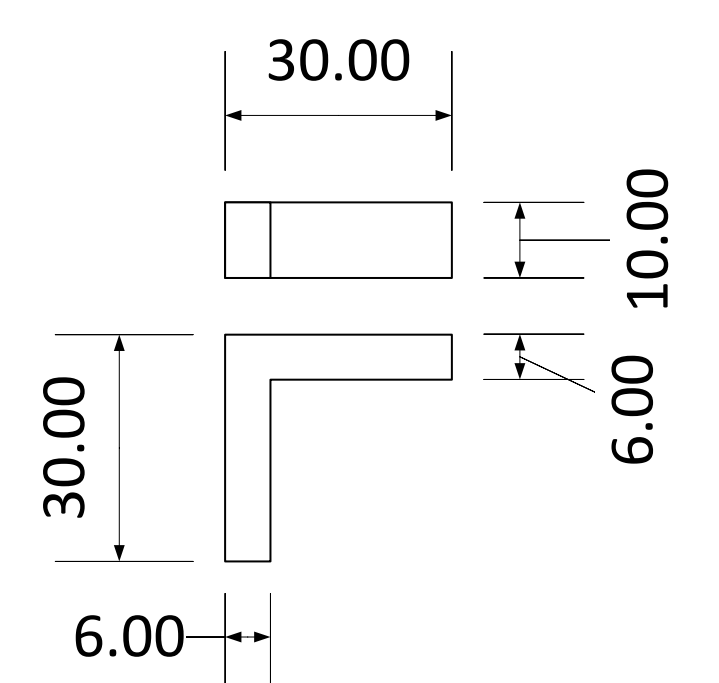
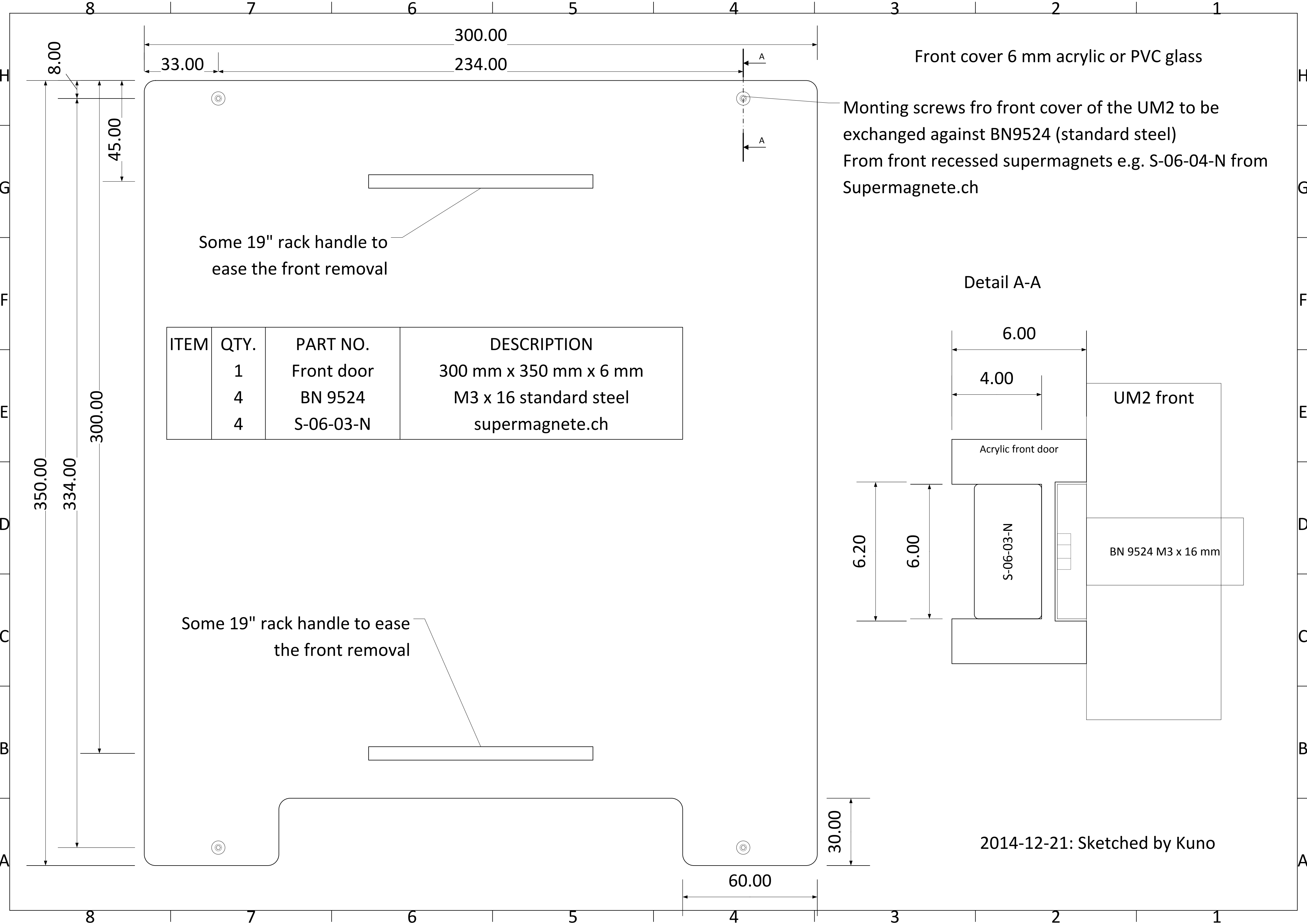


ITEM	QTY.	PART NO.	DESCRIPTION
	1	Top cover panel	510 mm x 337 mm x 6 mm
	2	Left and Right top cover panel	510 mm x 200 mm x 6 mm
	2	Front and Rear top cover panel	325 mm x 200 mm x 6 mm
	1	Rear bottom cover panel	325 mm x 388 mm x 6 mm
	2	Bottom cover side panel	388 mm x 157 mm x 6mm
	2	Printable corners	see details
	2	Printable bars	see details



Printable bar to hold top in place.
To be glued to the bottom of the top cover

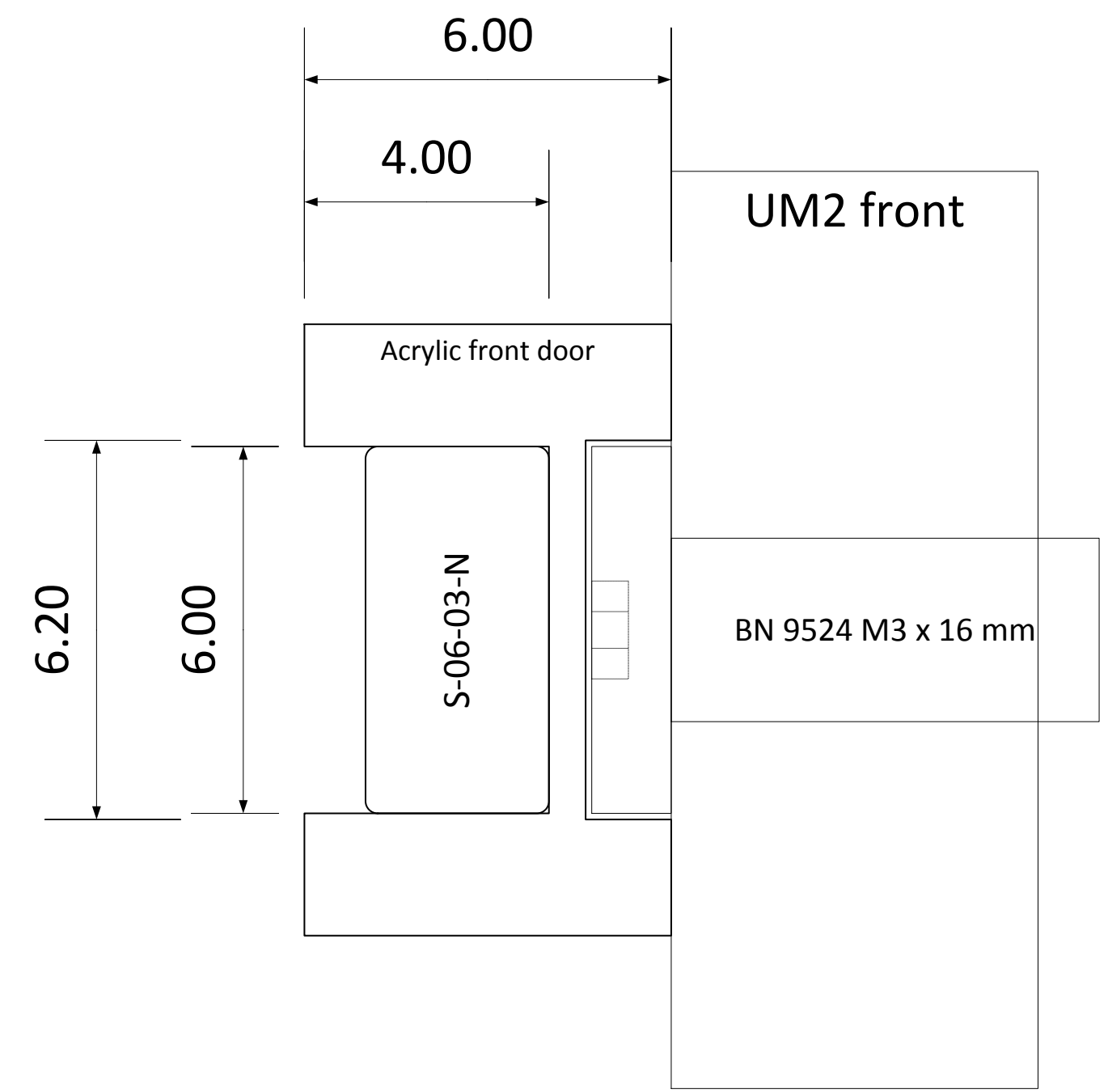
Printable corners to hold top in place.
To be glued to the bottom of the top cover



Front cover 6 mm acrylic or PVC glass

Monting screws fro front cover of the UM2 to be exchanged against BN9524 (standard steel)
 From front recessed supermagnets e.g. S-06-04-N from Supermagnete.ch

Detail A-A



Some 19" rack handle to ease the front removal

ITEM	QTY.	PART NO.	DESCRIPTION
	1	Front door	300 mm x 350 mm x 6 mm
	4	BN 9524	M3 x 16 standard steel
	4	S-06-03-N	supermagnete.ch

Some 19" rack handle to ease the front removal

2014-12-21: Sketched by Kuno