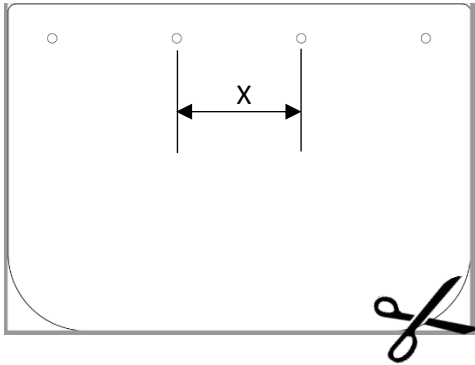


Visor / Faceshield for safety helmet

Step 1

Cut the shield in a binding cover (A4 PVC, thickness minimum 200microns)

Template available at <https://www.youmagine.com/designs/protective-visor-by-3dverkstan>



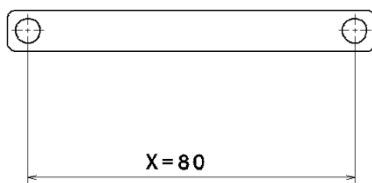
Step 2

Perforate the the shield with your perforateur and measure the dimension X.

For exemple EU standard X=80mm

Step 3

Modify the file « Barre C » in order to match X with the distance with centers of the holes



Step 4

Print the set of 5 parts : -Clips D

-Clips G

-Clips DF

-Clips GF

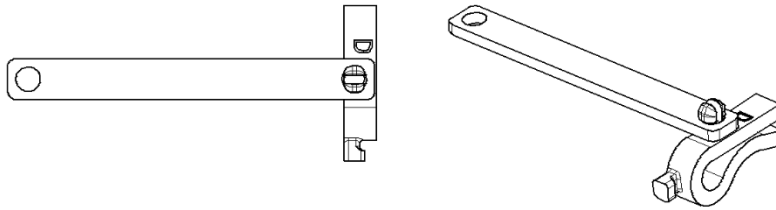
-Barre C (if necessary modified)

Density / % filling minimum 40% (strength and reliabilty under hard work conditions)

<https://www.youmagine.com/designs/covid-19-visor-shield-safety-helmet-by-fbaert>

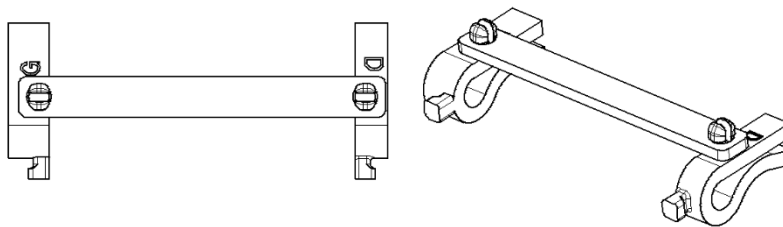
Step 5

Assembly the parts « Clips DF » with « Barre C »



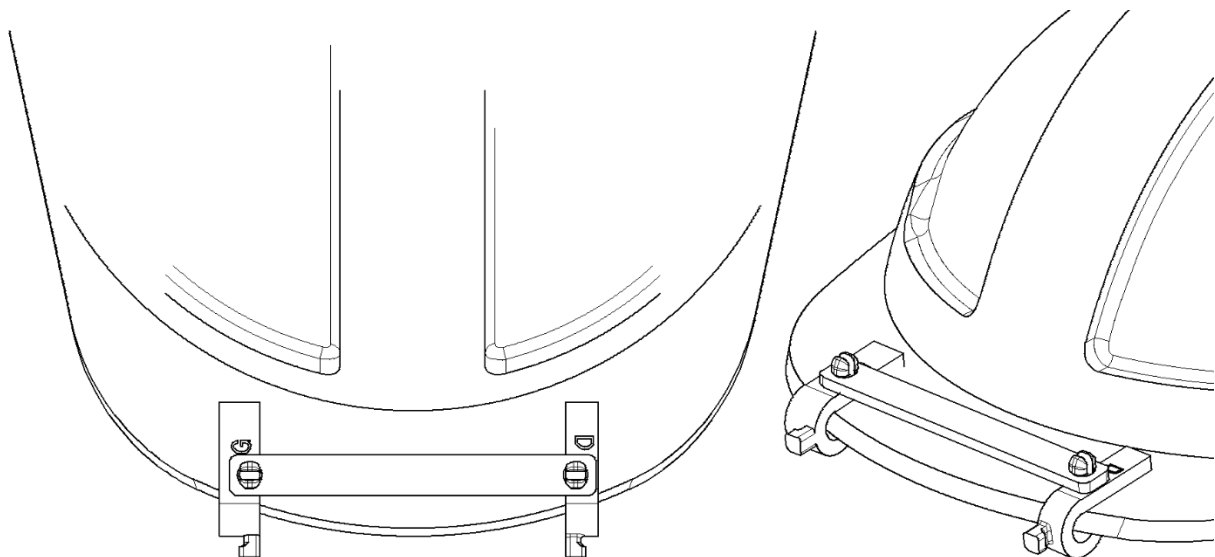
Step 6

Assembly the part « Clips GF »



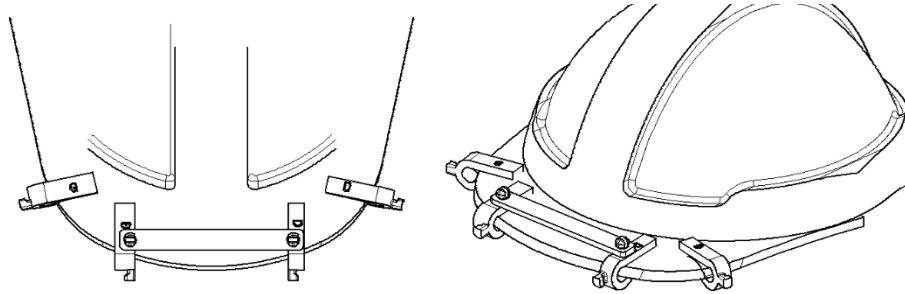
Step 7

Set the assembly on the helmet



Step 8

Set the parts « Clips D » & « Clips G » as the sketch below



Step 9

Set the shield

