

1

2

3

4

5

6

RevNo

Revision note

Date

Signature

Checked

A

B

C

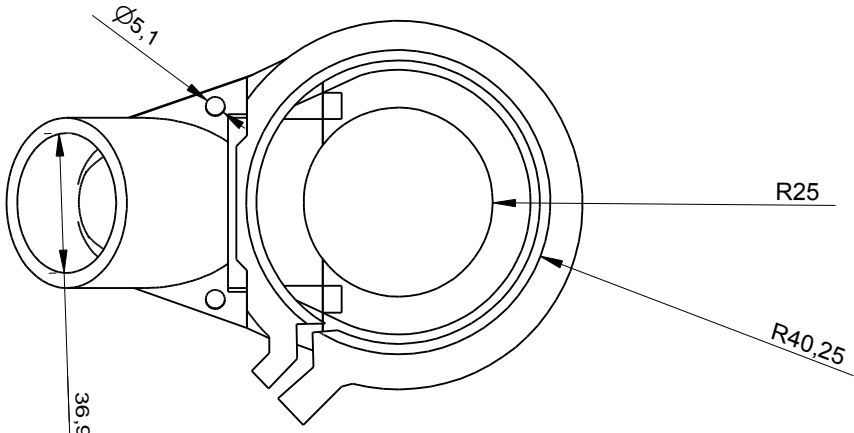
D

A

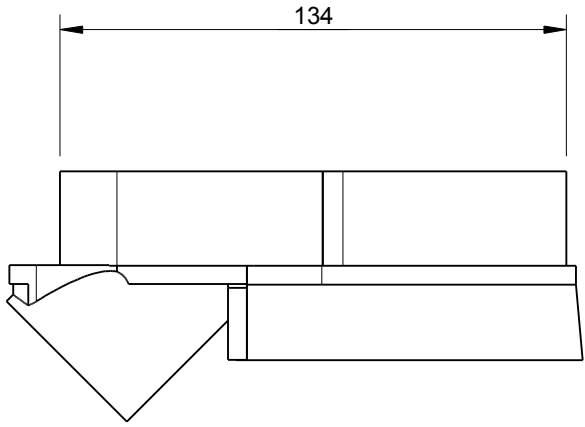
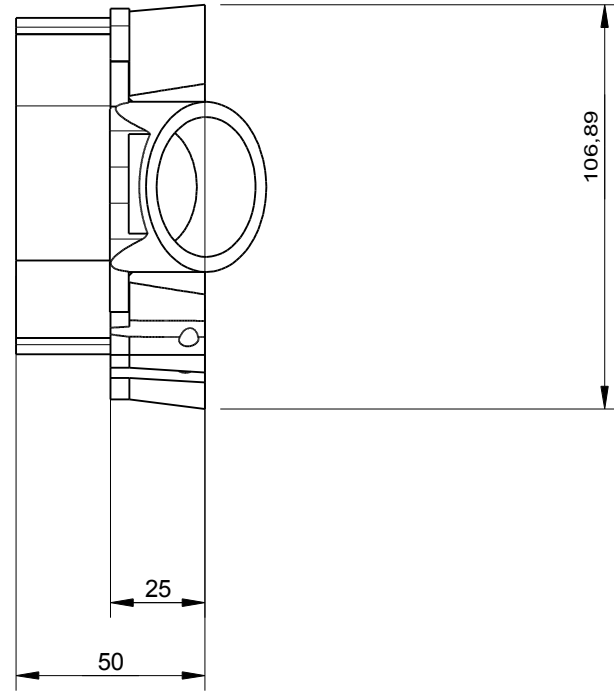
B

C

D



SCALE 1:2



Itemref	Quantity	Title/Name, designation, material, dimension etc			Article No./Reference	
Drawn by Marcus Wolschon		Checked by	Approved by - date	File name	Date 2014-01-19	Scale
				1	Edition	Sheet

1

2

3

4

5

6