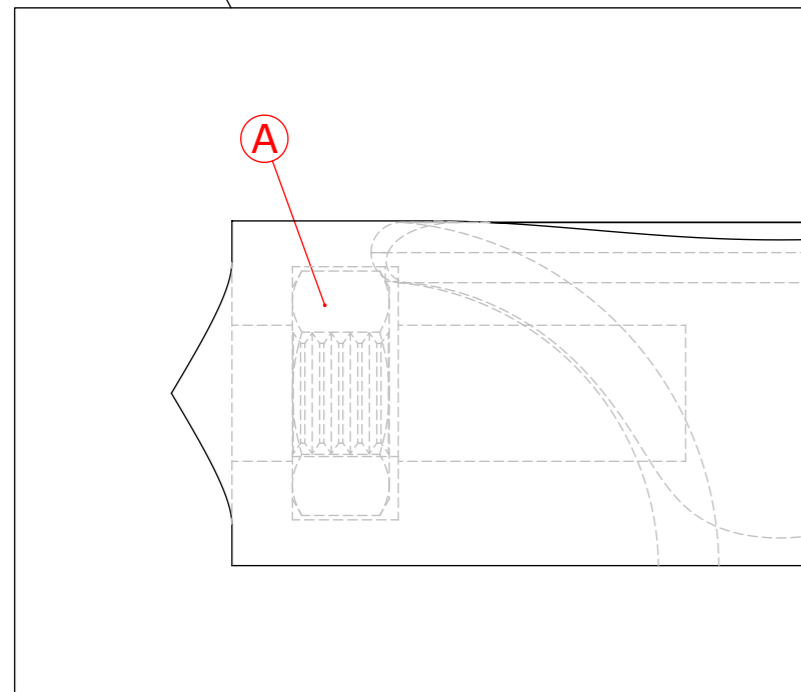
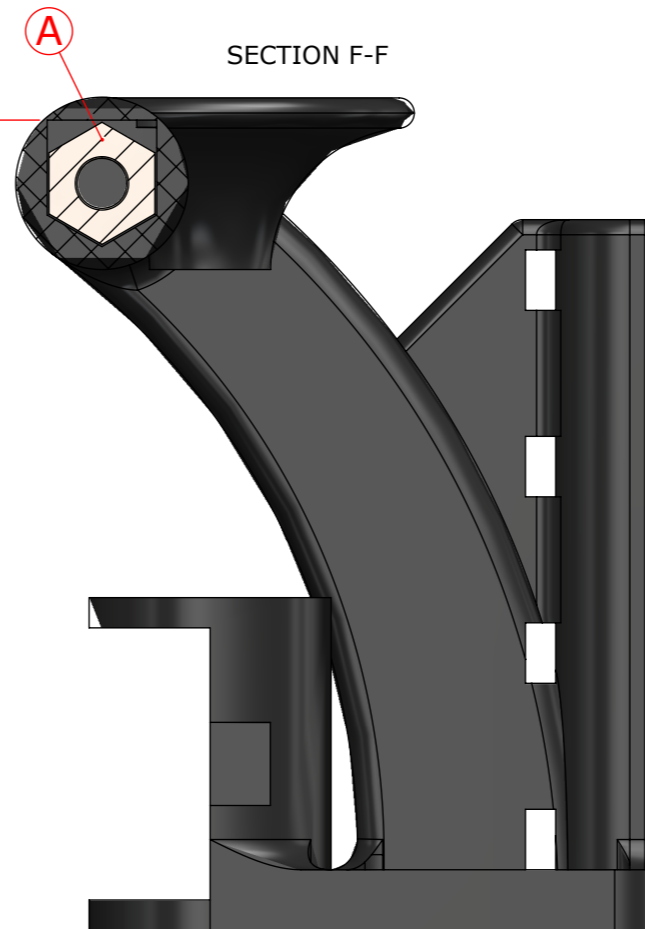
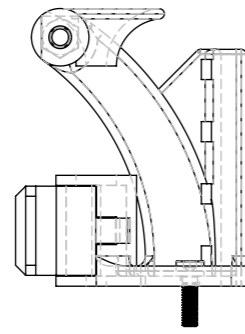
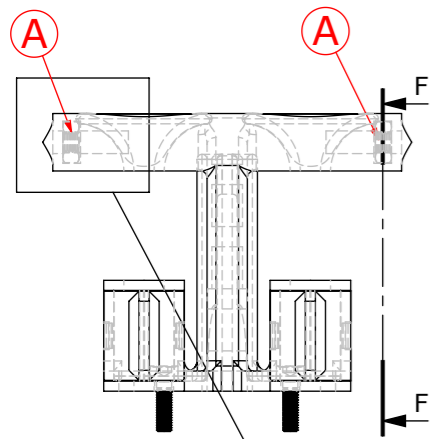


IMPORTANT

Please be sure to pause the print at 53mm in order to add the two captive M4 Nuts (items **A**)



Isometric View



DETAIL G



Third Angle Projection	Title: Filament Guide C/W Oilers	Dwg No: -	Rev: -
Creative Commons You are free:	Model: Clone R1	Manufacture: -	Part No: -
to Share - to copy, distribute and transmit.	Material: As Detailed	Weight: 0.03 g	Sheet No: 1 of 1
to Remix - to adapt the work.	Drawn By: Steve Johnstone	Date: 14/07/2015	
Noncommercial - You may not use this work for commercial purposes.			