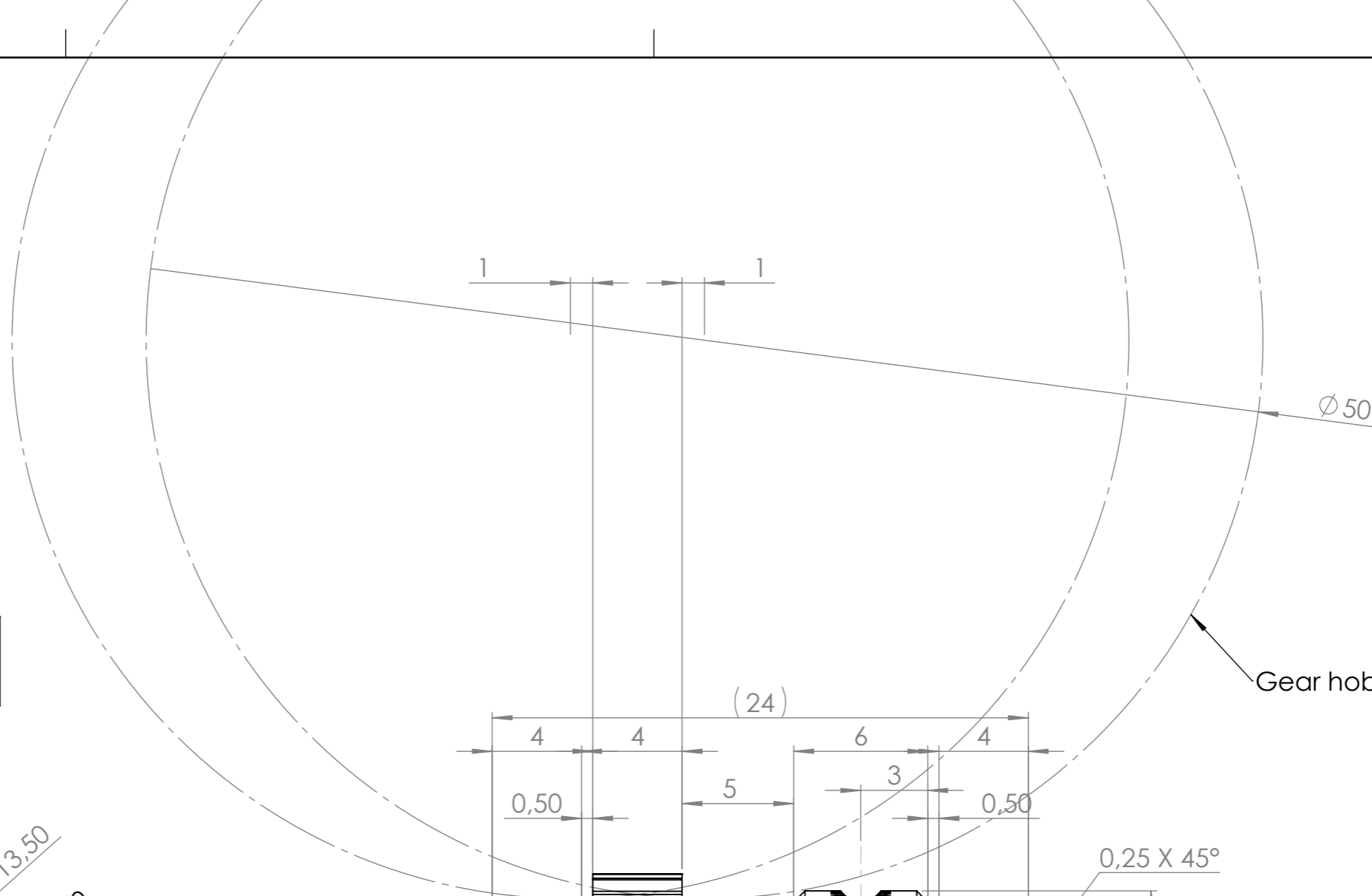
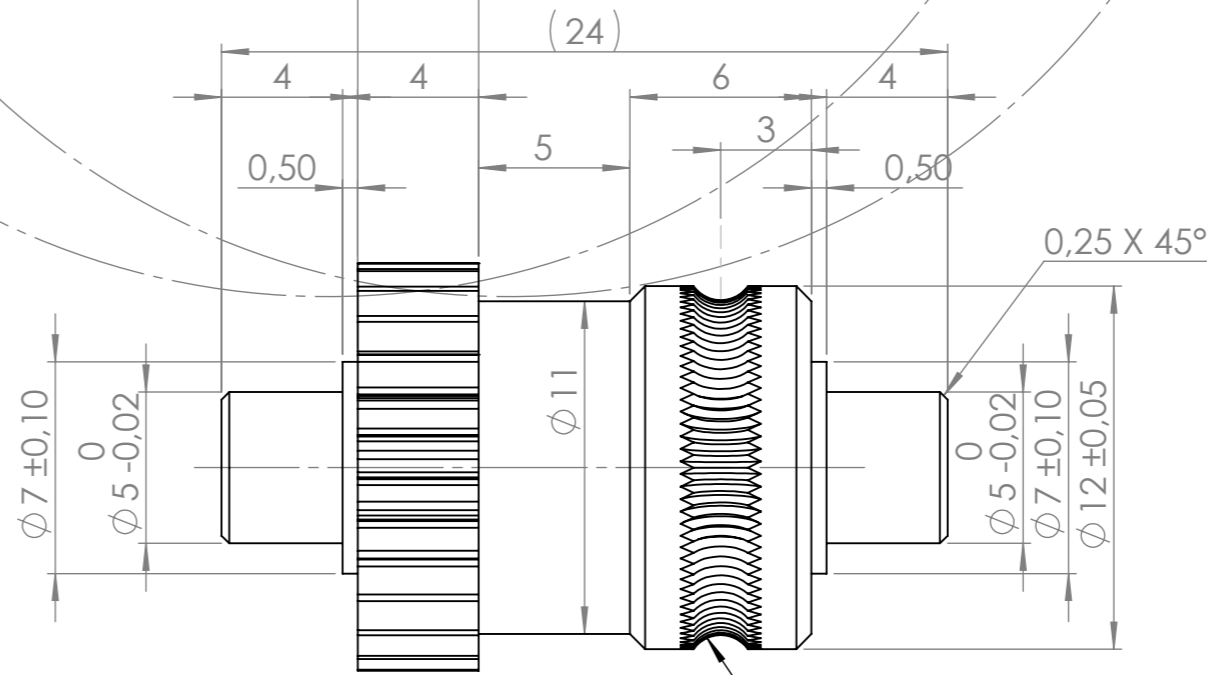


Module 0.5
25 Teeth
20 deg. pressure angle



Gear hobbing tool



Hobbed with M3 tap, depth 0.8 mm



SCALE 1 : 1

1	1	SS1914			Type.number /Blank Dim	Article no/Reference	
Pos	Qty	Material					
Konstruerad av Design by	Ritad av Drawn by	Granskad av Checked by	Granskad för produktion Checked for production	Datum Date	General tolerance SS-ISO 2768-1.-2	General surface roughness	Vyplacering Projection method 4:1
Vikt/Weight 17,89 gr		Description Follower with gear					
		Benämning Följhjul med kugghjul					
		Artikelnummer/Article number		Ritningsnummer/Drawing number		Utgåva/Revision	Blad/Sheet
		BONDTECH		100-105		B	1(1)



This work is licensed under the Creative Commons Attribution-NonCommercial-ShareAlike 3.0 Unported License. To view a copy of this license, visit <http://creativecommons.org/licenses/by-nc-sa/3.0/> or send a letter to Creative Commons, PO Box 1866, Mountain View, CA 94042, USA.