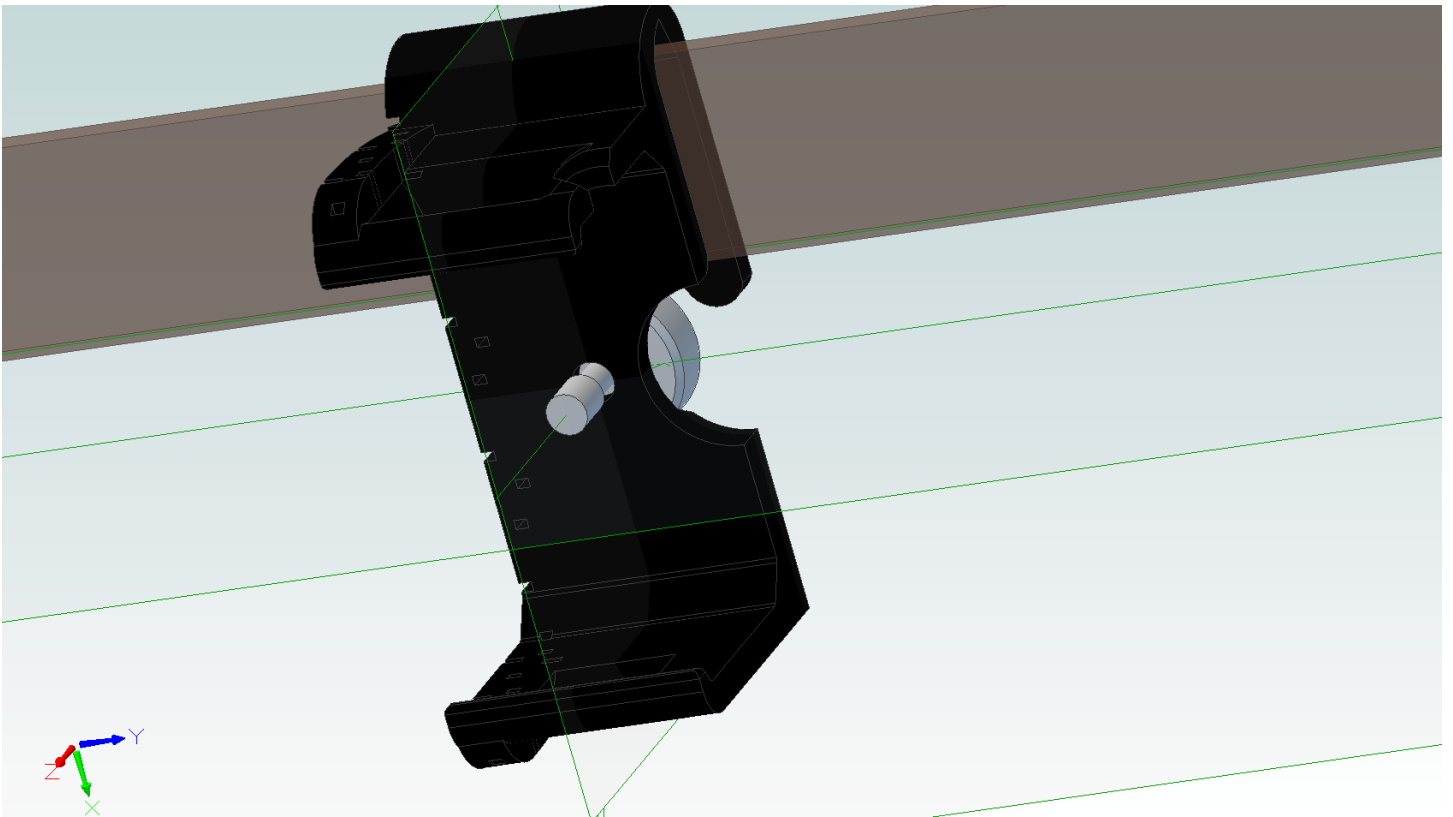
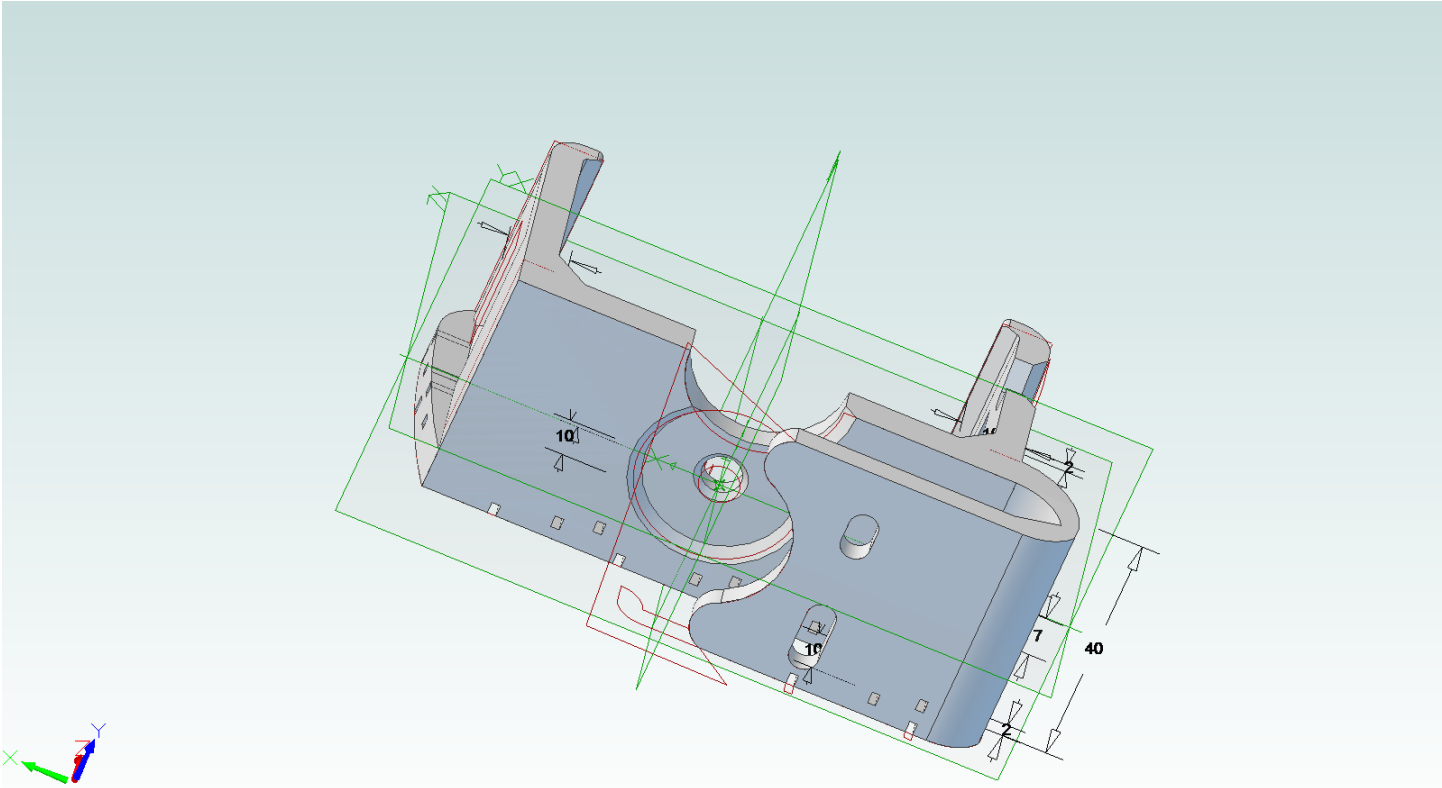
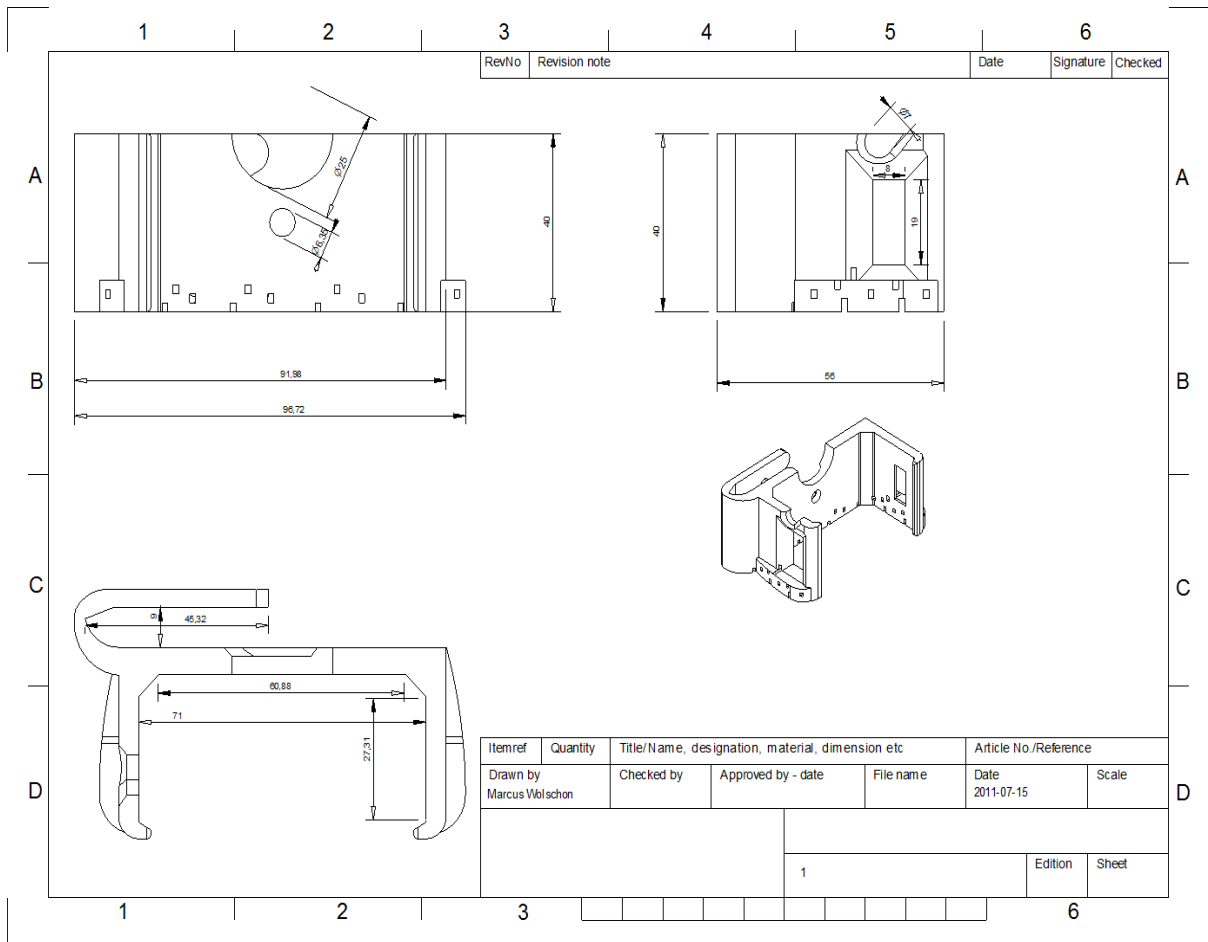


Zoom H4n Belt Clip Mark II

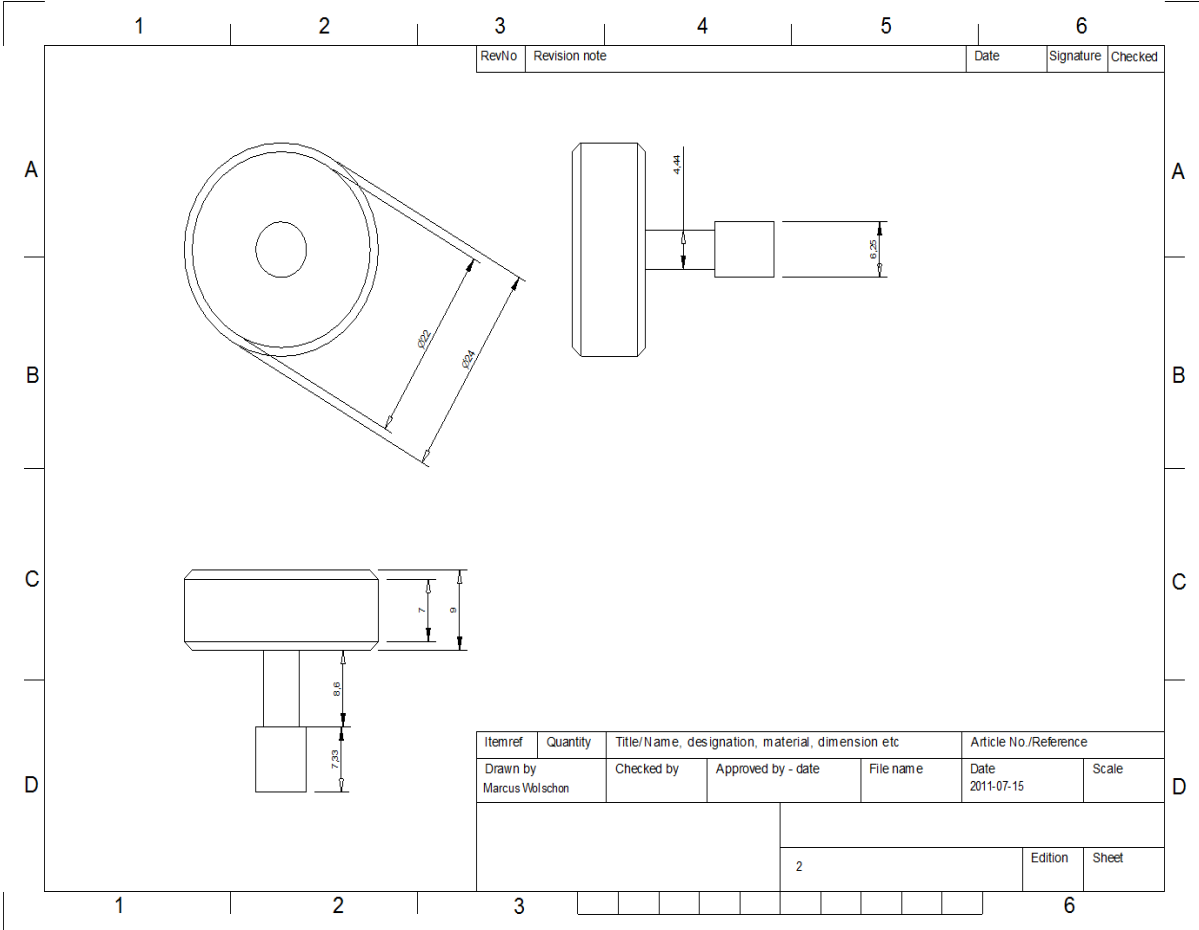






RevNo	Revision note	Date	Signature	Checked
-------	---------------	------	-----------	---------

Itemref	Quantity	Title/Name, designation, material, dimension etc			Article No./Reference	
Drawn by Marcus Wolschon	Checked by	Approved by - date	File name	Date 2011-07-15	Scale	
			1	Edition		Sheet



RevNo	Revision note	Date	Signature	Checked
-------	---------------	------	-----------	---------

Itemref	Quantity	Title/Name, designation, material, dimension etc	Article No./Reference		
Drawn by Marcus Wolschon	Checked by	Approved by - date	File name	Date 2011-07-15	Scale
			2	Edition	Sheet